

# Parts Catalog SM3546D Disc Rider Scrubber



**PREFACE**

Thank you for your purchase of the new industry standard for scrubbers. PowerBoss® takes great pride in offering the most dependable, reliable and best value in industrial power scrubbers and sweepers. We set the standard.

Our Customer Service Department would like to hear from you. If you see any errors, omissions or something that needs clarification in this Parts Catalog please let us know. We are working hard towards continually improving our processes to bring you the best you deserve. Please copy the form below, fill out and comment on how you found our catalog.

Thank you!  
*The PowerBoss Team*

Name: \_\_\_\_\_

Title: \_\_\_\_\_

Company Name: \_\_\_\_\_

Address: \_\_\_\_\_

Country: \_\_\_\_\_

Type of equipment or model number: \_\_\_\_\_

Comments: \_\_\_\_\_

\_\_\_\_\_

\_\_\_\_\_

\_\_\_\_\_

Please return to:  
Customer Service Manager  
PowerBoss®, Minuteman International, Inc.  
14N845 U.S. Route 20  
Pingree Grove, Illinois 60140 USA

Phone: (800) 323-9420  
Email: tech@powerboss.com

This is the Parts Catalog for the PowerBoss® B175R Disc Rider Scrubber machine.

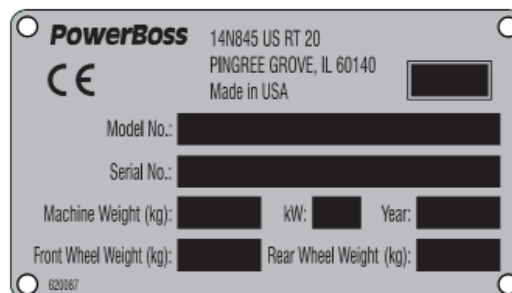
We believe this machine will provide excellent service for many years. Best results will be obtained if:

- The machine is operated with reasonable care.
- The machine is maintained regularly per the maintenance schedule provided in the User Manual.
- The machine is maintained with PowerBoss® supplied or equivalent parts.

All right side and left side references to the machine (except for engine) are determined by facing the direction of forward travel. The front of the engine or engine fan faces the front of the machine. Some hardware considered to be common or locally available has been omitted from the parts section to make this manual clear. Be sure to use equivalent hardware when replacement becomes necessary.

The Model and Serial Number of your machine is shown on the I.D. name plate. This information is needed when contacting Technical Support or when ordering parts. The I.D. plate is mounted on the left side wall of the operator seating area.

**Example I.D Plate:**



Parts may be ordered by phone, fax or e-mail from any PowerBoss® parts and service center. Before ordering parts or supplies, be sure to have your machine model number and serial number handy. For your convenience Fill out the data block below for future reference.

<b>MACHINE DATA</b> Fill out at installation	
Serial Number:	_____
Engine Serial Number:	_____
Sales Rep.:	_____
Date of Install:	_____

All information contained in this catalog is current at the time of printing. Minuteman International, Inc. reserves the right to make changes at any time without notice.

PowerBoss®, Minuteman International, Inc., Copyright 2021, Printed in USA

## TECHNICAL SPECIFICATIONS

Model: B175R Disc Rider Scrubber

Model No.: SM3546D, SM3546DQP

### Dimensions

		Standard drive			X-AC drive
Name	Unit	TB 900	TB 1080	WB 850	TB 900
Length of machine with squeegee without/with pre-sweep unit	mm	1890/2670	1890/2670	1890	1890/2670
Width of machine without/with squeegee	mm	940/1130	1120/1290	940/1130	940/1130
Height of machine without/with overhead guard	mm	1450/2080			

### Working width

Brush unit	mm	900	1080	850	900
Squeegee	mm	1100	1260	1100	1100

### Weights

Weight (empty, without batteries)	kg	450	455	440	480
Total weight (ready for use)	kg	1010	1015	1100	1040
Permissible total weight	kg	1310			

### Driving performance

Driving speed transportation (forwards/reverse)	km/h	8/4			
Climbing capacity when cleaning	%	6 (2 min)			15 (up to 5 min/ 4 km/h)
Climbing capacity during transport journey (ready for operation)	%	10 (1 min)			18 (3 min/ 4 km/h)
Ramp angle/Slope angle	%	16			
Turning circle (with squeegee)	mm	2960	2970	2960	2960

### Wheels

		Standard drive			X-AC drive
Name	Unit	TB 900	TB 1080	WB 850	TB 900
Wheel diameter	mm	305			
Specific wheel contact pressure front/rear	N/mm <sup>2</sup>	0.66/0.65			

### Tank contents

Solution tank	Litre	175
Waste water tank	Litre	175

### Brush head

Brush speed	rpm	210	210	850	210
Min./Max. brush pressure	kg	35/70	38/70	29/38	35/70

### Vacuum system

Air quantity 1/2 suction turbine	m <sup>3</sup> /h	100/200	200	100/200	100/200
Vacuum (maximum)	mbar	approx. 50			

### Electrical system

Nominal voltage	V	36			
Nominal output (max.) (P1)	W	7470			
Power consumption drive motor (P1) S2-120 min	W	2335			3365
Power consumption of vacuum motor (P1) 1/2 suction turbine	W	641/1282	1282	641/1282	641/1282
Power consumption of brush motor (P1) with/without side brush	W	2x936	2x936	2x918 + 2x115	2x936
Power consumption water pump (P1)	W	approx. 67			
Type of protection		IPX 3			
Protection class		III			

### On-board charger

		Standard drive			X-AC drive
Name	Unit	TB 900	TB 1080	WB 850	TB 900
Rated input/output voltage	V	230/36			
Nominal output	W	1600			
Type of protection		IPX 3/P20			
Protection class		I			

### Pre-sweep suction unit

Name	Unit	
Machine length	mm	800
Height of machine	mm	660
Machine width (above swivel bracket)	mm	1220
Working width	mm	1300
Cylindrical brush width	mm	670
Cylindrical brush, minimum diameter	mm	200
Cylindrical brush speed	rpm	500
Sweeping level width	mm	45±10
Side brush diameter	mm	400
Side brush speed	rpm	92
Theoretical sweeping capacity	m <sup>2</sup> /h	10400
Dirt hopper volume (maximum load 20 kg)	Litres	16
Filter area	m <sup>2</sup>	1.4
Filter use category ZH 1/487	KAT	U
Drive motor (P1)	W	756
Nominal voltage	V	36
Permissible total weight	kg	115

**Noise emission value**

		B175 R WZB		B175 R TB	
		Standard operation	Silent operation	Standard operation	Silent operation
The sound power level ( $L_{wAd}$ ) measured under the customary conditions of use according to DIN EN 60335-2-72 is:	dB (A)	85	80	85	80
The sound pressure level ( $L_{pA}$ ) (at the ear of the driver) measured under the customary conditions of use according to DIN EN 60335-2-72 is:	dB (A)	68	64	68	64
Measuring uncertainty ( $K_{pA}$ )	dB (A)	1.4	1.5	1.6	1.3

**Vibration**

Under the customary conditions of use, the weighted effective value of the acceleration to which the upper limbs (hand-arm) are subjected to according to DIN EN ISO 5349 is:	m/s <sup>2</sup>	≤ 2.5
Under the customary conditions of use, the weighted effective value of the acceleration to which the body (feet or seat surface) is subjected to DIN EN ISO 2631-1 is:	m/s <sup>2</sup>	≤ 0,5

**Scrub Master Battery and Charger Chart**

**SCRUB MASTER BATTERY AND CHARGER CHART**

MODEL	DESCRIPTION	BATTERY	QTY	CHARGER	QTY
SM3546DQP	SCRUB MASTER 46 BASE, 35" DISC	956724	6	957750-1	1
SM4246DQP	SCRUB MASTER 46 BASE, 42" DISC	956724	6	957750-1	1
SM3346CQP	SCRUB MASTER 46 BASE, 33" CYL	956724	6	957750-1	1
SM3346CSBQP	SCRUB MASTER 46 BASE, 33" CYL W/SB	956724	6	957750-1	1
SM3032DQP	SCRUB MASTER 32 BASE, 30" DISC	956724	4	957756	1
SM3532DQP	SCRUB MASTER 32 BASE, 35" DISC	956724	4	957756	1
SM2832CQP	SCRUB MASTER 32 BASE, 28" CYLINDRICAL	956724	4	957756	1
SM3332CQP	SCRUB MASTER 32 BASE, 33" CYLINDRICAL	956724	4	957756	1
SM3546DQPG	SCRUB MASTER 46 BASE, 35" DISC, AGM	956745	6	957750-2	1
SM4246DQPG	SCRUB MASTER 46 BASE, 42" DISC, AGM	956745	6	957750-2	1
SM3346CQPG	SCRUB MASTER 46 BASE, 33" CYL, AGM	956745	6	957750-2	1
SM3346CSBQPG	SCRUB MASTER 46 BASE, 33" CYL W/SB, AGM	956745	6	957750-2	1
SM3032DQPG	SCRUB MASTER 32 BASE, 30" DISC, AGM	956745	4	957756-1	1
SM3532DQPG	SCRUB MASTER 32 BASE, 35" DISC, AGM	956745	4	957756-1	1
SM2832CQPG	SCRUB MASTER 32 BASE, 28" CYL, AGM	956745	4	957756-1	1
SM3332CQPG	SCRUB MASTER 32 BASE, 33" CYL, AGM	956745	4	957756-1	1





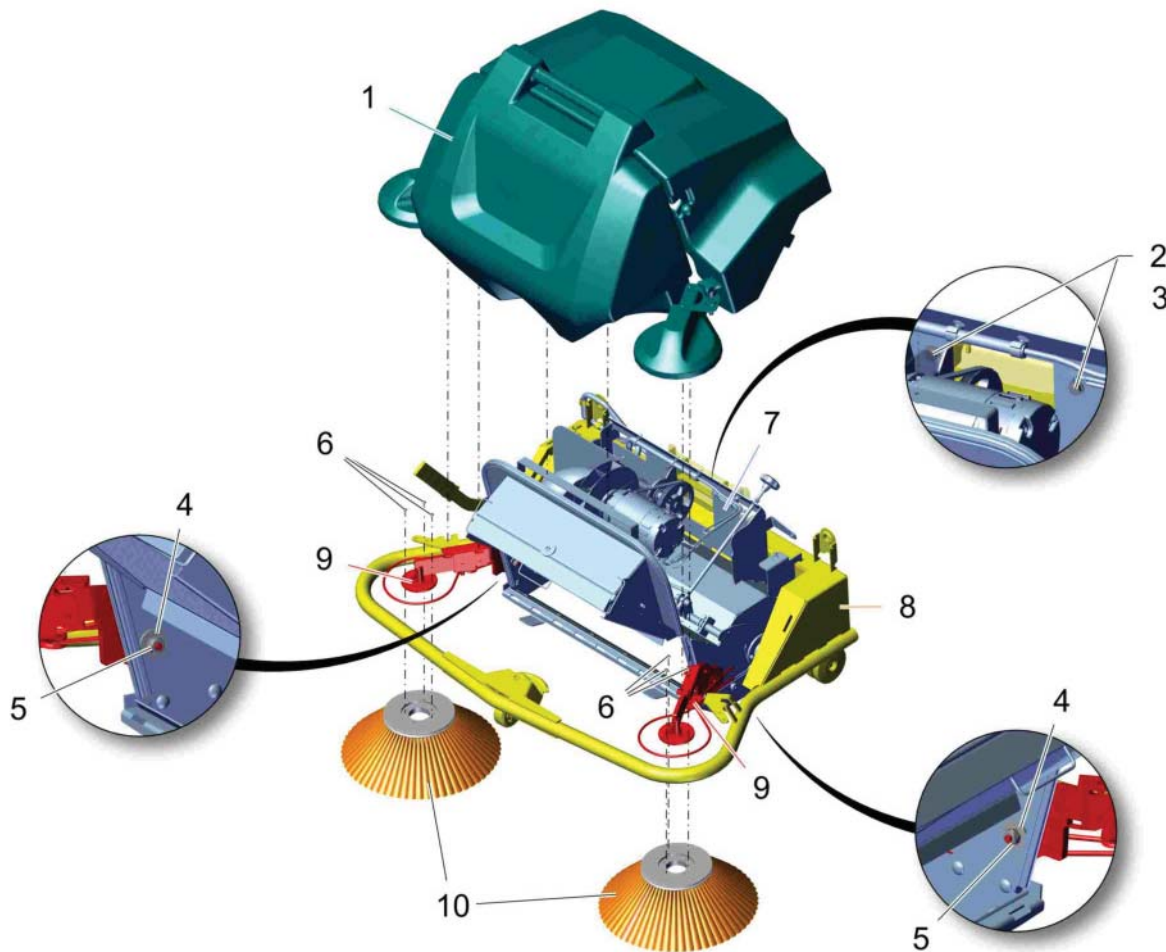
## TABLE OF CONTENTS

<b>PREFACE</b> .....	<b>2</b>
<b>TECHNICAL SPECIFICATIONS</b> .....	<b>4</b>
<b>SCRUB MASTER BATTERY AND CHARGER CHART</b> .....	<b>8</b>
<b>PARTS BREAKDOWN</b> .....	<b>12</b>
PRE-SWEEP UNIT 1300 (99718050).....	12
COVERING (97149645) .....	13
BROOM ADJUSTMENT (97151419-97151435) .....	14
SWEEPER TUNNEL - CYLINDRICAL BROOM (97144265) .....	15
SWEEPER TUNNEL, PART 1 (97144265-1).....	16
MOTOR (97149256) .....	18
ABRASION ADJUSTMENT (97151500) .....	19
SHAFT (97149215) .....	20
IDLER (97149231).....	21
SWEEPER TUNNEL, PART 2 - CYLINDRICAL BROOM (97144265-2) .....	22
WIPER (97144240) .....	24
BROOM SHAFT (97117170).....	25
CHANGE FRAME 1300 (97150031).....	26
LOCK BRACKET (97150627).....	28
LIFTING HANDLE (97146930).....	29
SIDE BRUSH L.H. AND R.H 1300 (97150015-97150247) .....	30
PRELIMINARY PARTS FOR PRE-SWEEPING UNIT (97146948) .....	32
PRELIMINARY PARTS FOR PRE-SWEEPING UNIT L.H. AND R.H. (97153357-97153365) .....	33
PRELIMINARY PARTS FOR PRE-SWEEPING UNIT WITHOUT DRIVER'S CANOPY (97154025) .....	34
CONTROL CONSOLE (97141402_27) .....	36
DRIVE SENSOR (01378020).....	38
STEERING SYSTEM (97135206) .....	40
CONTROL PANEL (97140412).....	41
SEAT GROUP - SEAT VARIANTS (97145437).....	42
SEAT PLATE (97141394) .....	44
OPERATION AREA - COVERING FOR ELECTRIC EQUIPMENT (97141386).....	46
CHASSIS (97140578_60).....	48
CHASSIS (97141253).....	50
FRONT BUMPER DISK BRUSH HEAD 900 (97144950).....	52
REAR AXLE, NOT DRIVEN (97141246) .....	53
WITHOUT OPTION ONBOARD SOLUTION DOSAGE BUT WITH SPRAYING TOOLS (97140115-3).....	54
PRELIMINARY PARTS FOR SPRAYING TOOLS ON WATER PLATE (97145486) .....	56
TANK CONNECTION WATER SYSTEM (97138200).....	57
PRELIMINARY PARTS FOR SPRAYING TOOLS (97142061) .....	58
ELECTRIC EQUIPMENT (97141840_27) .....	60
BASE ELECTRIC PLATE (97141907).....	62
ELECTRIC PLATE WITHOUT ONBOARD CHARGER (97159404) .....	64
ELECTRIC PLATE WITHOUT 4-WHEEL DRIVER (97141873).....	65
ELECTRIC PLATE WITH OPTION PRE-SWEEP UNIT (97154363).....	66

TANK GROUP (WITHOUT TANKS) (97162747) . . . . .	68
FOUL WATER TANK RED (97162721-97162739_PB_1) . . . . .	70
COVER (97138275-B_27). . . . .	72
CLAMPING PIECE (97146237) . . . . .	73
SOLUTION HOSE (01372360). . . . .	74
RECOVERY HOSE (01372410) . . . . .	75
HEIGHT ADJUSTMENT (97149587) . . . . .	76
COVER'S PUT-UP HINGE (97159743) . . . . .	77
COVER'S PUT-UP HINGE (97139414) . . . . .	78
FOUL WATER TANK RED B175 (01377880) . . . . .	80
FOUL WATER TANK RED ANTIBACTERIAL B175 (01377970) . . . . .	81
FRESH WATER TANK RED (97162721-97162739_2) . . . . .	82
FRESH WATER TANK RED (01374890) . . . . .	84
FRESH WATER TANK RED ANTIBACTERIAL (01374930). . . . .	85
FRESH WATER CAP (VARIANT WITHOUT AUTOMATIC FILLING UNIT) (97143937) . . . . .	86
COVER (VARIANT WITHOUT DRIVER CANOPY) (97140727) . . . . .	87
SIDE COVERING L.H. - SEPARATING PANEL (97140560) . . . . .	88
SEPARATING PLATE (97145783) . . . . .	89
PRELIMINARY PARTS FOR SPRAYING TOOLS AT TANK (97150296) . . . . .	90
ROUGH MUD STRAINER (97143929) . . . . .	91
SPRAYING NOZZLE (97142384). . . . .	92
RETAINER SPRAYING NOZZLE (97147334). . . . .	93
LIFTING BRUSH AGGREGATES (97141675) . . . . .	94
ROCKER (97135271) . . . . .	95
LIFTING DISK BRUSH HEAD (97144919) . . . . .	96
LIFTING (97138721) . . . . .	98
ROPE ASSEMBLY (97140479) . . . . .	100
DISK BRUSH HEAD 900 (97135164) . . . . .	102
BRUSH CARRIER CPL. (97111066) . . . . .	104
SIDE WIPER DISK BRUSH HEAD 900 (97135156). . . . .	106
SIDE WIPER R.H. AND L.H. (97138754-97144901) . . . . .	108
SQUEEGEE LINKAGE GROUP (97139935) . . . . .	110
SQUEEGEE LINKAGE GROUP (03021740) . . . . .	112
LIFTING ELEMENT (97142525) . . . . .	114
SUCTION UNIT 1100MM, CPL. (01378910) . . . . .	116

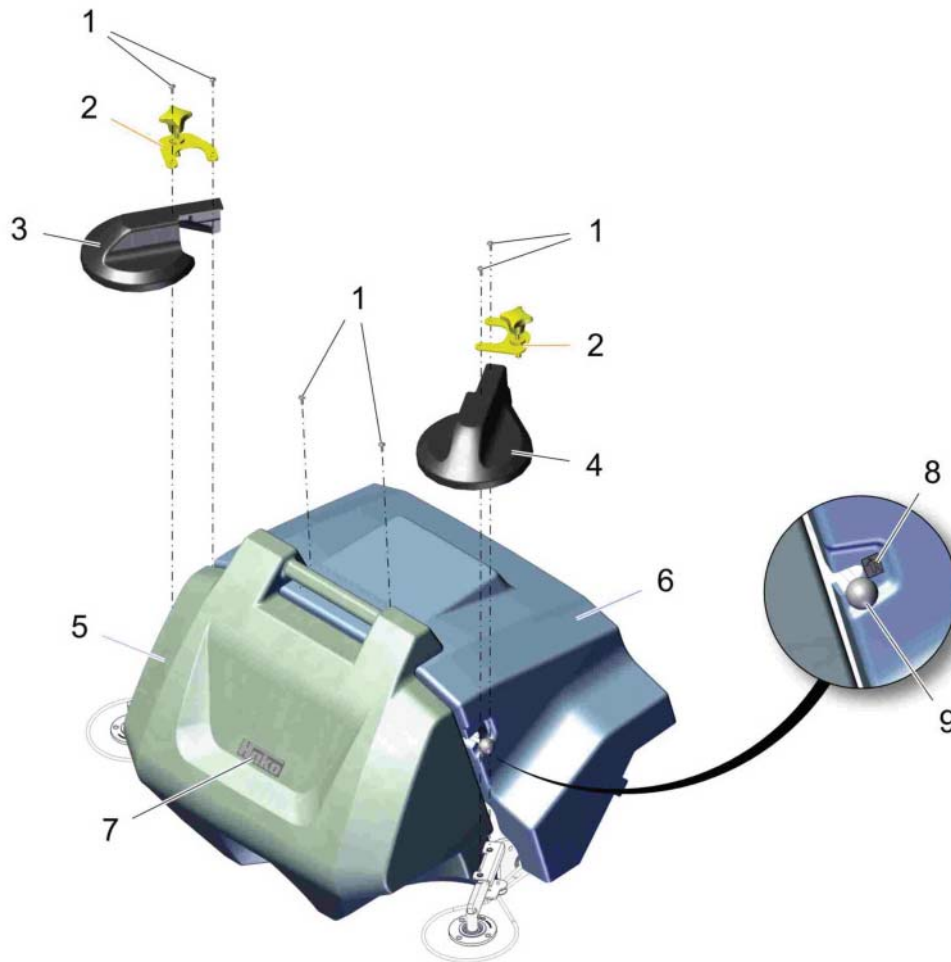
**Parts Breakdown**

**Pre-sweep unit 1300 (99718050)**



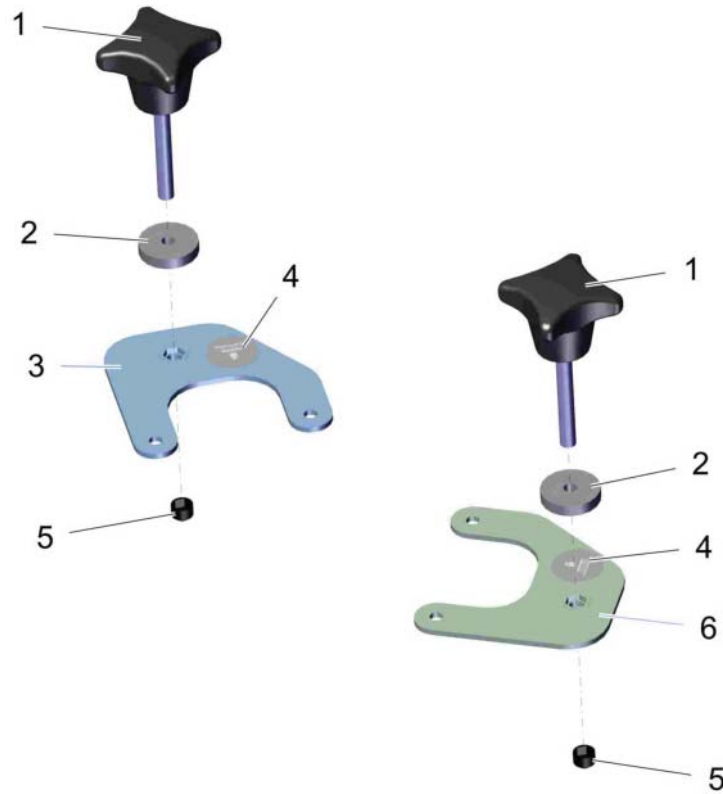
Item	Part number	Description	Qty.	Unit	Remarks
1	97149645	Covering	1		
2	00553690	Hex.bolt	2		
3	00740090	Detent edged washer	2		
4	---	Spare part on request	2		12347076 washer
5	00051500	Hex. Nut	2		
6	01074430	Screw	6		
7	97144265	Sweeper tunnel - cylindrical broom	1		
8	97150031	Change frame 1300	1		
9	97150015-97150247	Side brush L.H and R.H. 1300	1		
10	01270920	Side broom PES	2		

Covering (97149645)



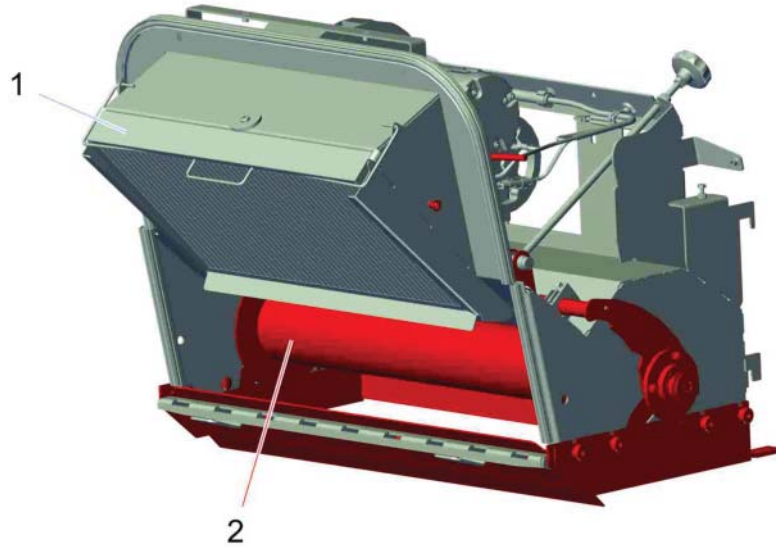
Item	Part number	Description	Qty.	Unit	Remarks
1	01017640	Lens flange screw	8		
2	97151419-97151435	Broom adjustment			
3	01376840	side brush cover R.H.	1		
4	01376690	side brush cover L.H.	1		
5	03021620	litter hopper	1		
6	03021710	hood	1		
7	01077200	Label HAKO silver	1		
8	01270900	Decal SHAKING	1		
9	00122230	Ball button	1		

Broom adjustment (97151419-97151435)



Item	Part number	Description	Qty.	Unit	Remarks
1	00906050	Star-handle bolt	2		
2	00906010	Knurled nut	2		
3	01378290	broom thrust bearing R.H.	1		
4	01130650	Decal SIDE BROOM ADJUSTMENT	2		
5	00705480	Lens cap	2		
6	01378330	broom thrust bearing L.H.	1		

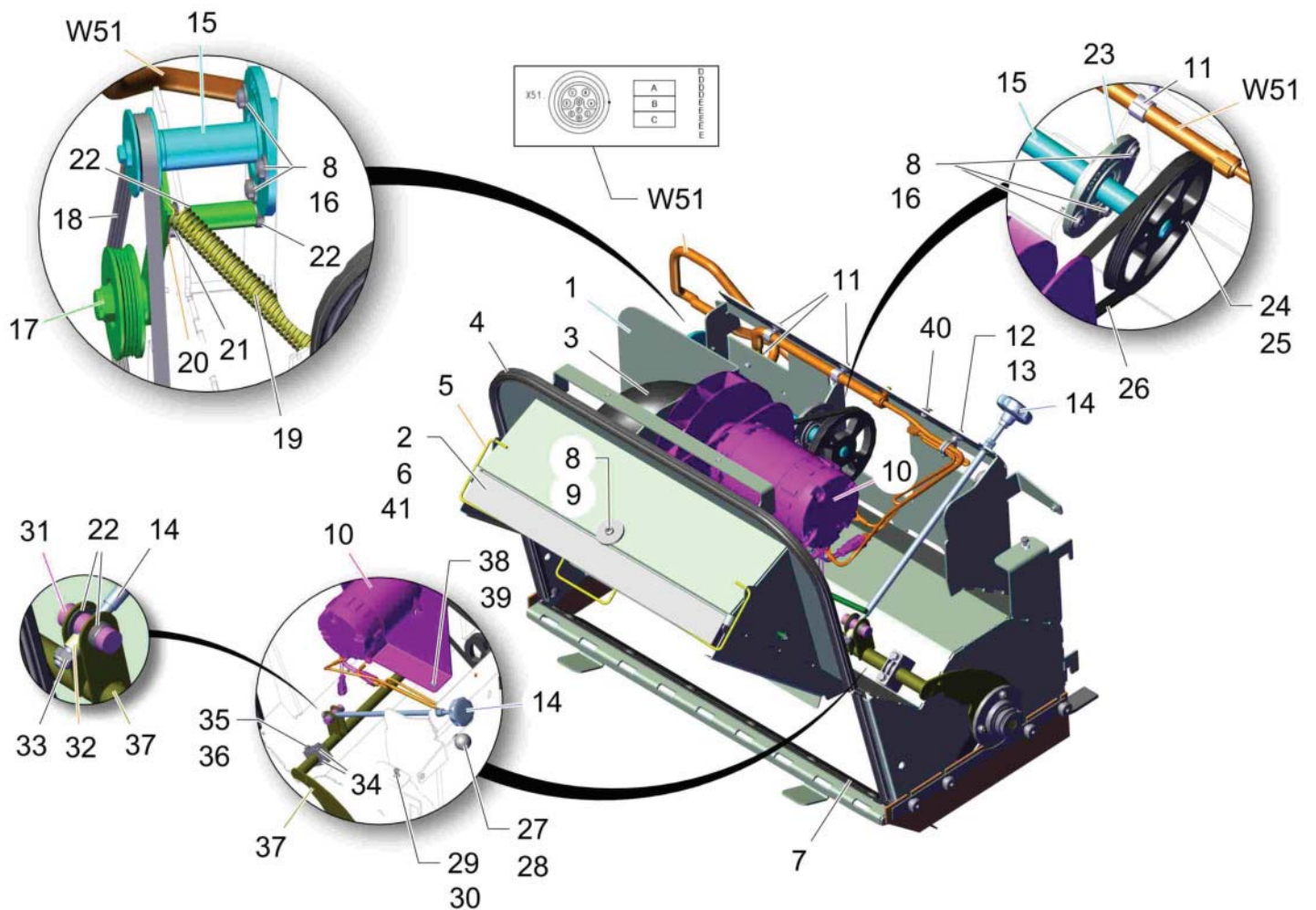
Sweeper tunnel - cylindrical broom (97144265)



Item	Part number	Description	Qty.	Unit	Remarks
1	97144265-1	Sweeper tunnel, part 1	1		
2	97144265-2	Sweeper tunnel, part 2 - cylindrical broom	1		



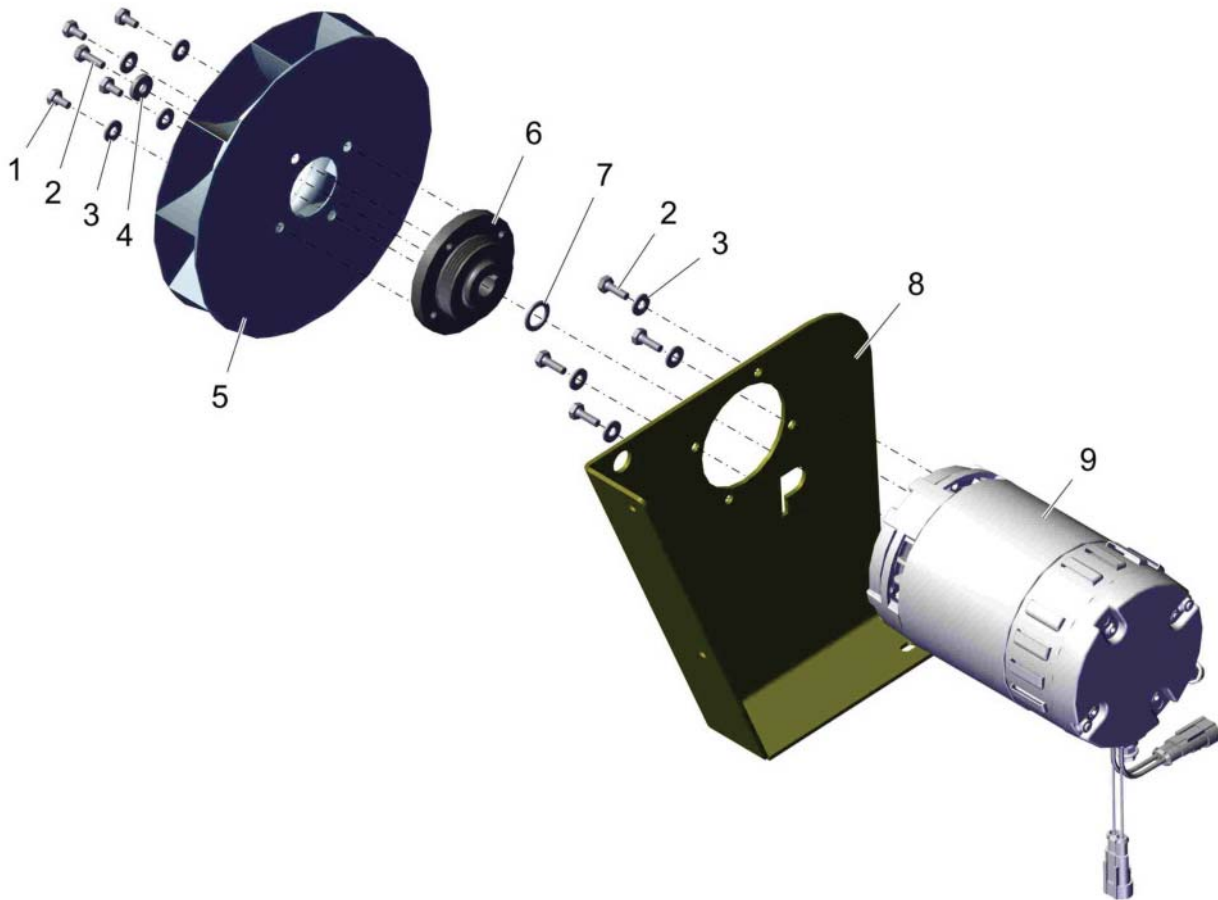
Sweeper tunnel, part 1 (97144265-1)





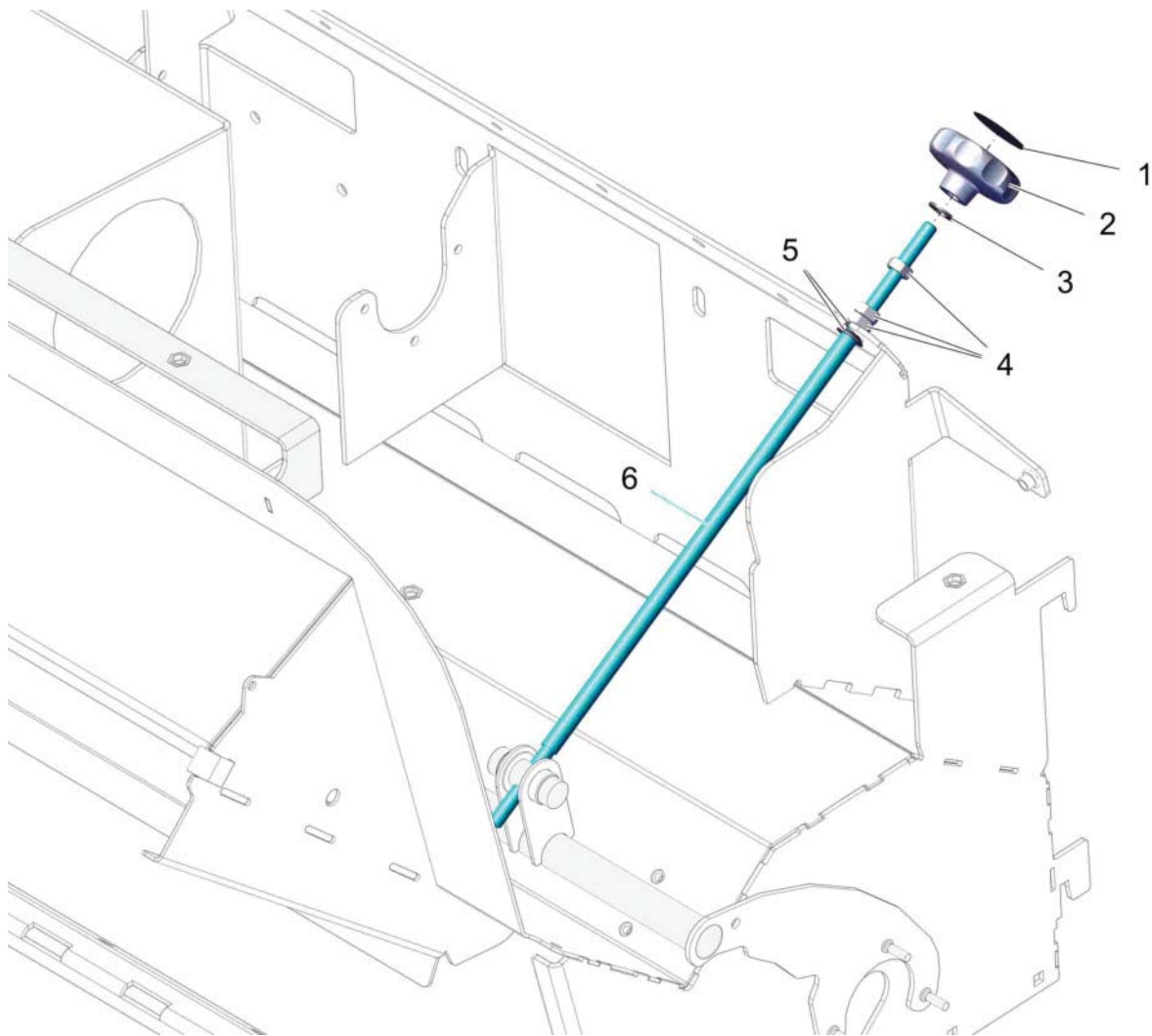
Item	Part number	Description	Qty.	Unit	Remarks
1	---	Spare part on request	1		96161153 Sweeper tunnel
2	00911850	Plate filter	1		
3	---	Spare part on request	1		92024470 air passage
4	00681570	Edge protection	1,130		
5	---	Spare part on request	1		92045152 filter lock yellow
6	01007090	special plate filter	1		will be used if sweeping operation is too long for standard filter
7	00681570	Edge protection	2x 0, 210		
8	00539730	Screw	7		
9	01062750	Washer	1		
10	97149256	Motor	1		
11	01370710	retainer holder corrugated hose	3		
12	01370250	retainer	1		
13	01370240	mounting feet	1		
14	97151500	Abrasion adjustment	1		
15	97149215	Shaft	1		
16	00135120	Washer	6		
17	97149231	Idler	1		
18	01176250	Ribbed band	1		
19	01371090	tension spring	1		
20	01472170	Starting disk	1		
21	00059440	Bushing	1		
22	01055290	Slide bearing bush	4		
23	01173010	Flange bearing	2		
24	01179750	Belt pulley	1		
25	00077460	Supporting ring	1		
26	01179730	Ribbed band	1		
27	00122230	Ball button	1		
28	01133350	Lens flange screw	1		
29	00053060	Hex.bolt	1		
30	00053330	Hex. Nut	1		
31	01271370	Bolt	1		
32	01278330	Spacer sleeve	1		
33	00051510	Hex. Nut	1		
34	01271360	Bearing seat	4		
35	00535110	Hex.bolt	4		
36	00053730	Washer	4		
37	01136160	Broom rocker	1		
38	00154210	Hex.bolt	3		
39	00740280	Washer	3		
40	01278080	Mounting clip	1		
41	01007160	special filter	1		will be used if the filter fineness must be very high; sweeping operation time will be lower!
A	01475610	cord grip, shell size 16	1		to plug X51; content of wiring harness W51
B	01475720	plug dust cap	1		to plug X51; content of wiring harness W51
C	01375910	socket for pin contact 9-pole	1		to plug X51; content of wiring harness W51
D	01376020	tab-cont. RT 2,5mm (2,5-3,5)	4		to plug X51; content of wiring harness W51
E	01475850	pin contact	5		to plug X51; content of wiring harness W51
W51	03021420	wiring harness W51	1		

**Motor (97149256)**



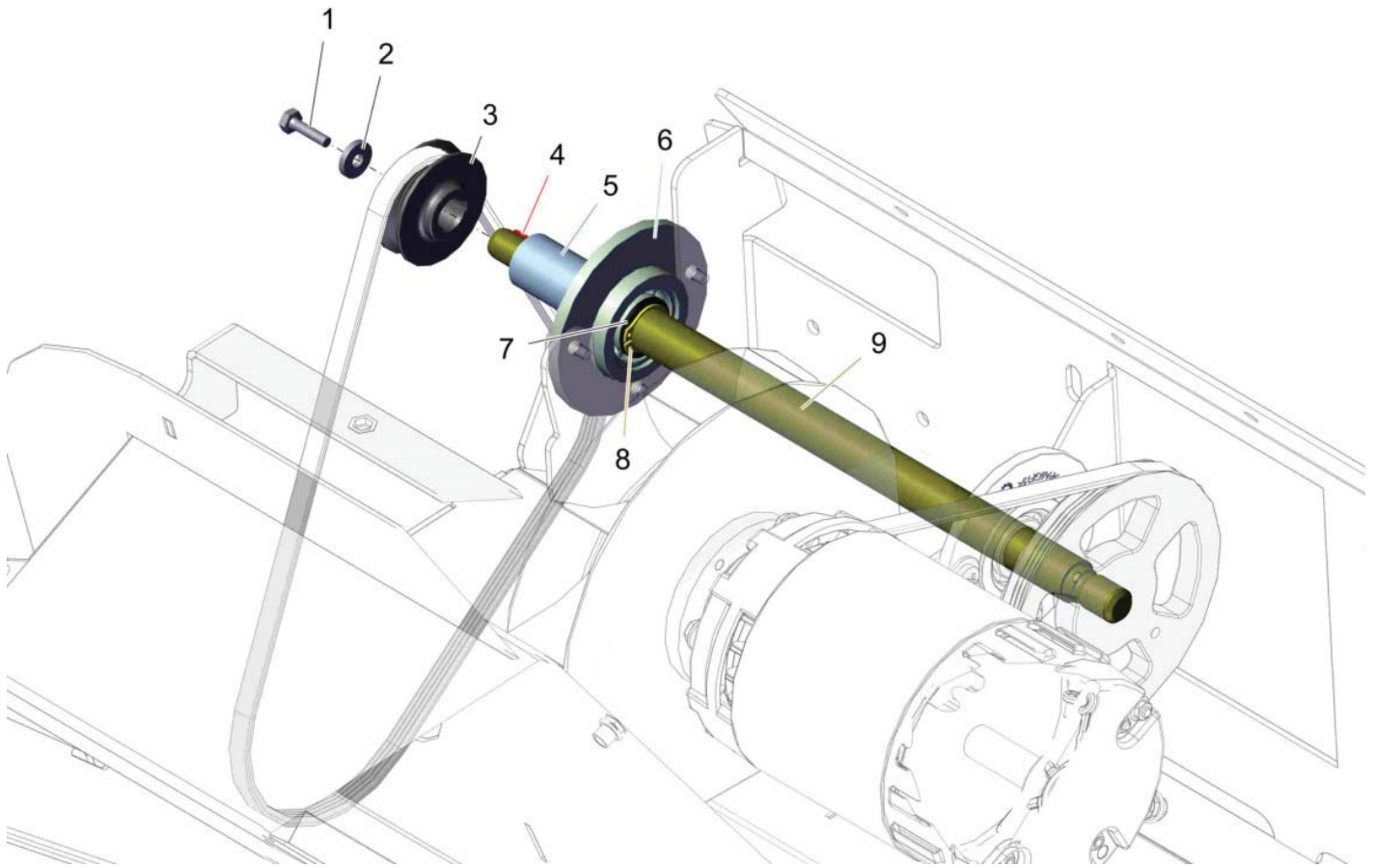
Item	Part number	Description	Qty.	Unit	Remarks
1	00025260	Hexagon screw	4		
2	00053010	Hex.bolt	5		
3	00730940	Detent edged washer	8		
4	00856290	Washer	1		
5	00661680	Fan wheel	1		
6	01270950	Belt pulley	1		
7	00020610	Supporting ring	1		
8	---	Spare part on request	1		92033521 motor retainer
9	01377170	motor 36V 600W	1		

**Abrasion adjustment (97151500)**



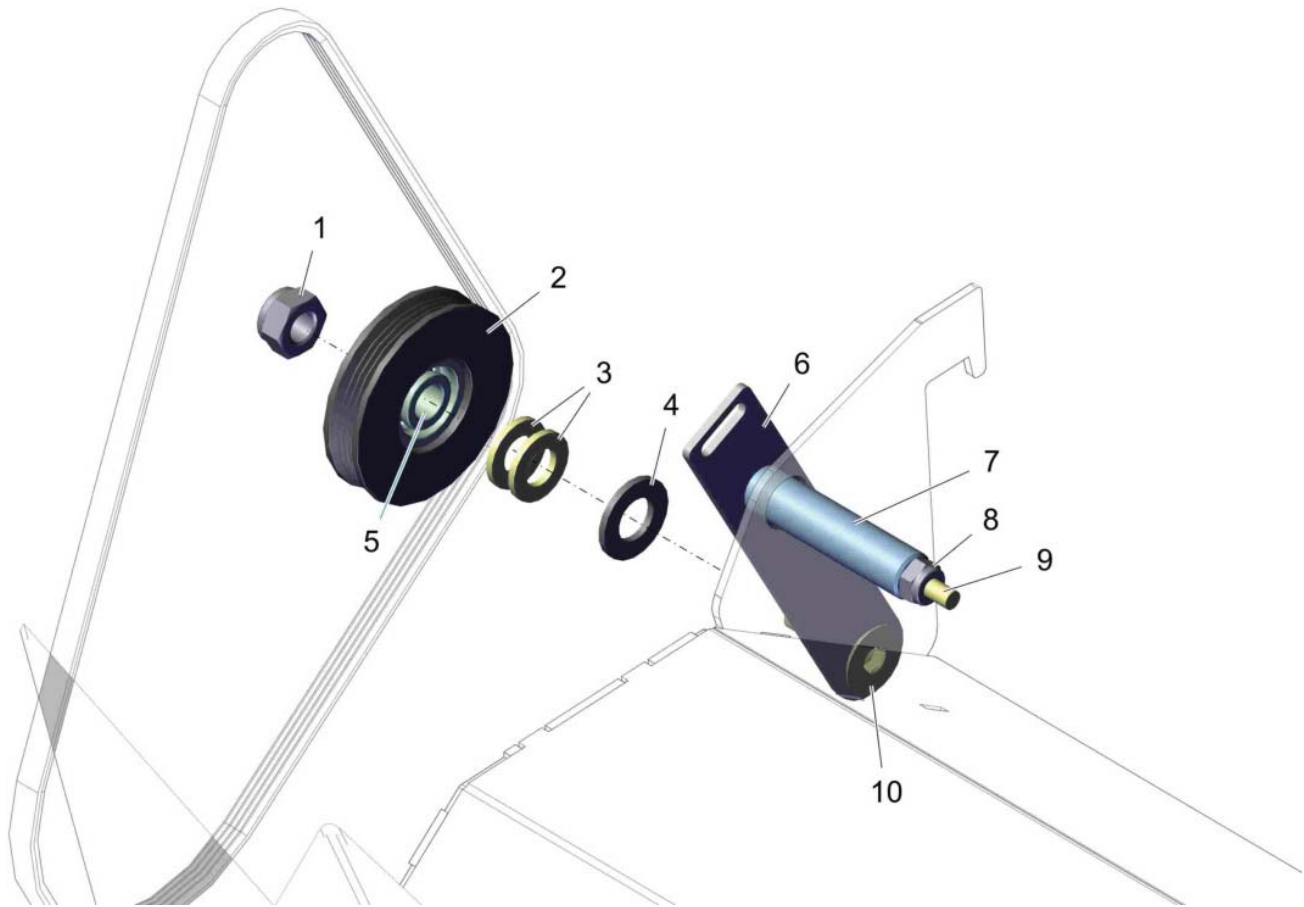
Item	Part number	Description	Qty.	Unit	Remarks
1	01136250	Decal Cyl. broom	1		
2	00480430	Hand wheel	1		
3	00053750	Washer	1		
4	00053350	Hex. Nut	3		
5	00126070	Ball washer	2		
6	01380850	wearing adjustment	1		

**Shaft (97149215)**



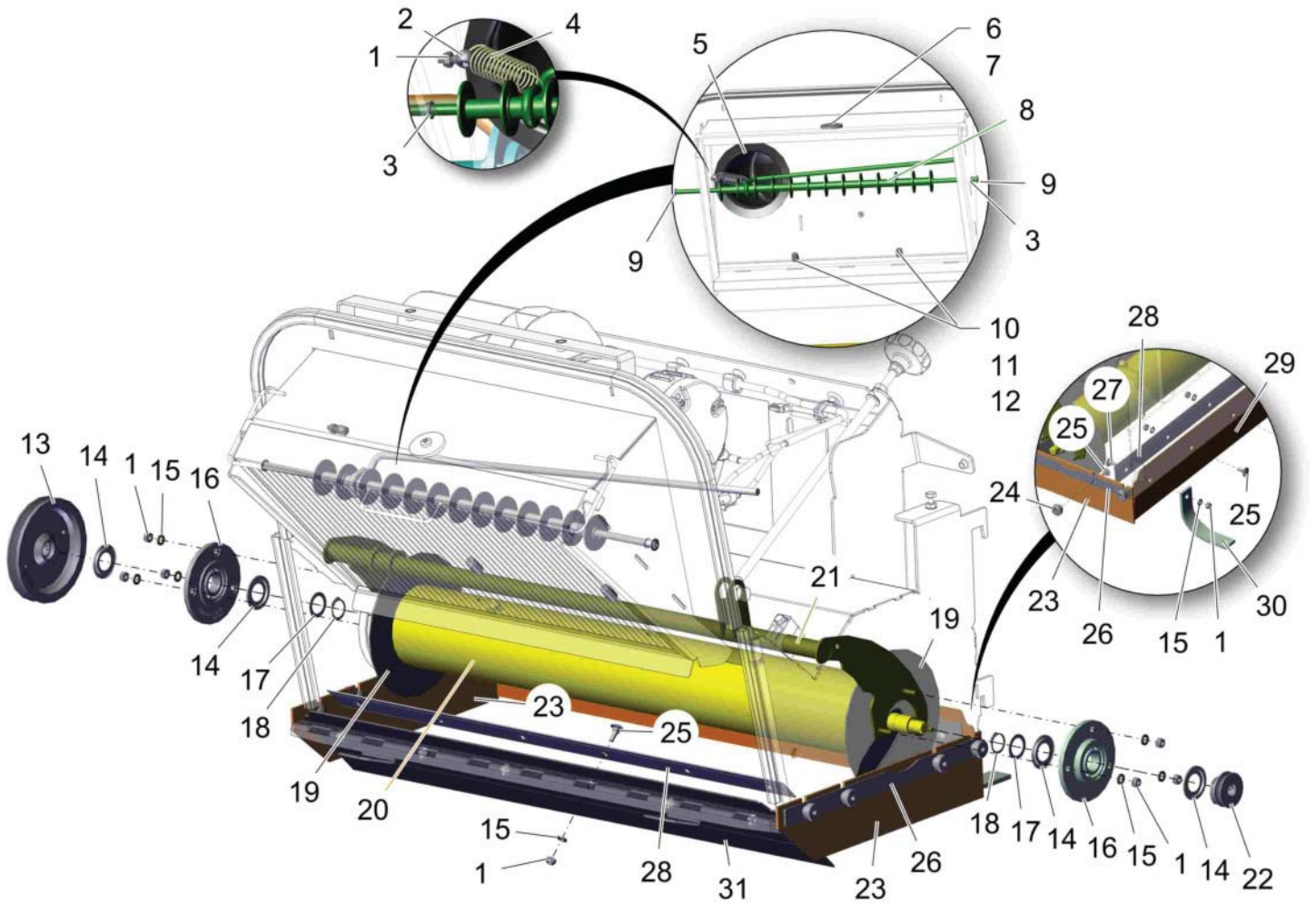
Item	Part number	Description	Qty.	Unit	Remarks
1	00053010	Hex.bolt	1		
2	00856290	Washer	1		
3	---	Spare part on request	1		92033596 belt pulley
4	00022430	Feather key	1		
5	---	Spare part on request	1		92033778 spacer sleeve
6	01173010	Flange bearing	1		
7	00136510	Supporting ring	1		
8	00054310	Retaining ring	1		
9	01376650	shaft	1		

Idler (97149231)



Item	Part number	Description	Qty.	Unit	Remarks
1	00051490	Hex. Nut	1		
2	01152600	Pulley	1		
3	00053770	Washer	2		
4	00053780	Washer	1		
5	00126330	Deep groove ball bearing	1		
6	---	Spare part on request	1		92023936 tension lever
7	01271480	Bearing bush	1		
8	00051510	Hex. Nut	1		
9	01110790	Countersunk screw	1		
10	00734400	Countersunk screw	1		

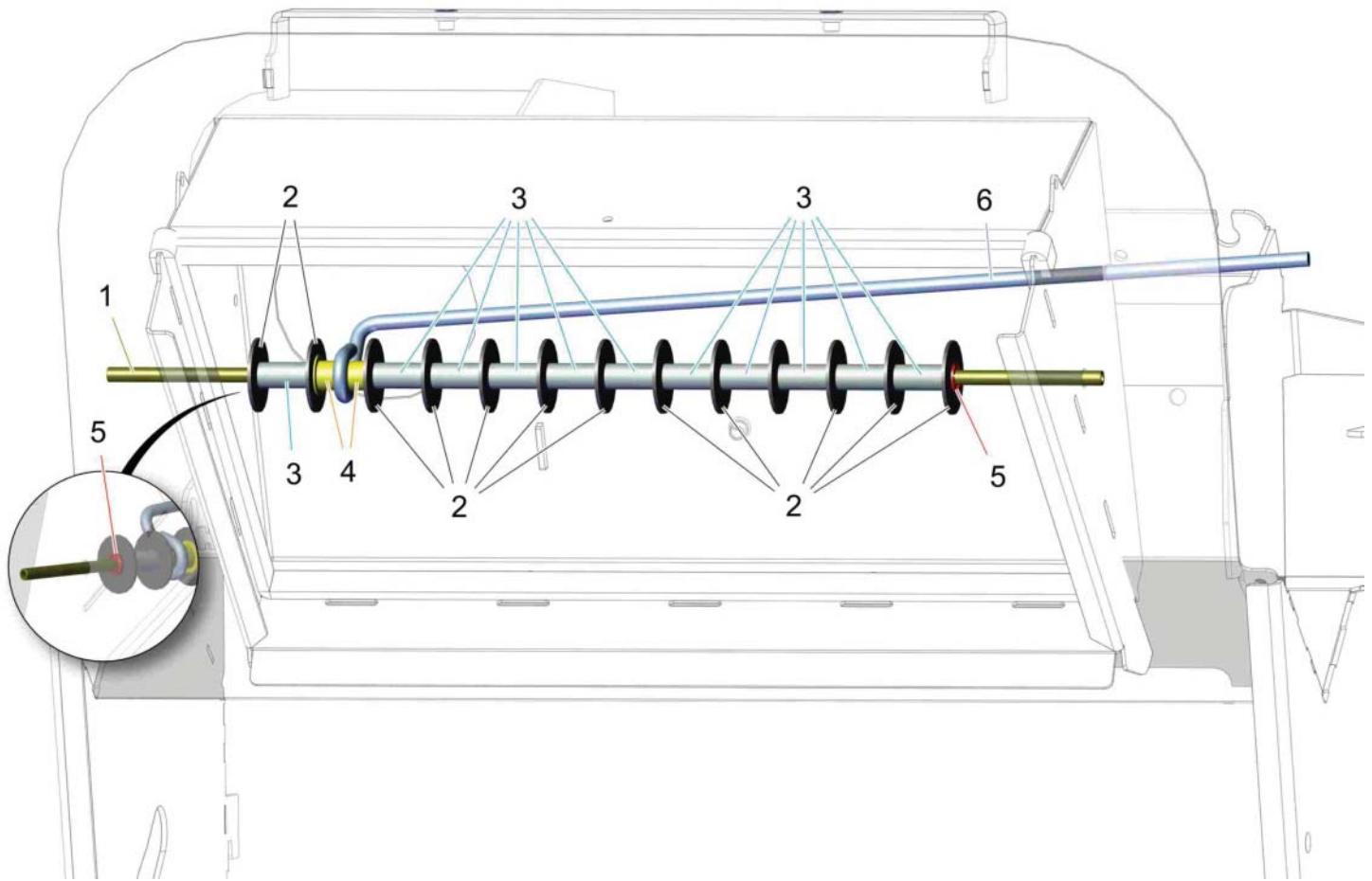
**Sweeper tunnel, part 2 - cylindrical broom (97144265-2)**





Item	Part number	Description	Qty.	Unit	Remarks
1	00051520	Hex. Nut	19		
2	01111020	Eye bolt	1		
3	01271610	Slide bearing bush	2		
4	01066220	Tension spring	1		
5	---	Spare part on request	1		92024470 air passage
6	00539730	Screw	1		
7	01062750	Washer	1		
8	97144240	Wiper	1		
9	01017640	Lens flange screw	2		
10	00133130	Screw	2		
11	00740280	Washer	2		
12	00926770	Spacer sleeve	2		
13	01271040	Belt pulley	1		
14	00537310	Ring	4		
15	00053730	Washer	19		
16	01173010	Flange bearing	1		
17	00153700	Adjusting washer	2		
18	00054310	Retaining ring	2		
19	01381630	sealing disc	2		
20	97117170	Broom shaft	1		
21	01136160	Broom rocker	1		
22	01136050	Belt pulley	1		
23	01376350	sealing strip	2		
24	00903210	Knurled nut	8		
25	00076540	Round head screw	19		
26	01376360	terminal strip	2		
27	01132310	Round head screw	1		
28	01376420	strip	2		
29	01376530	reinforcement strip	1		
30	01271050	Ground strap	1		
31	01375130	front apron	1		

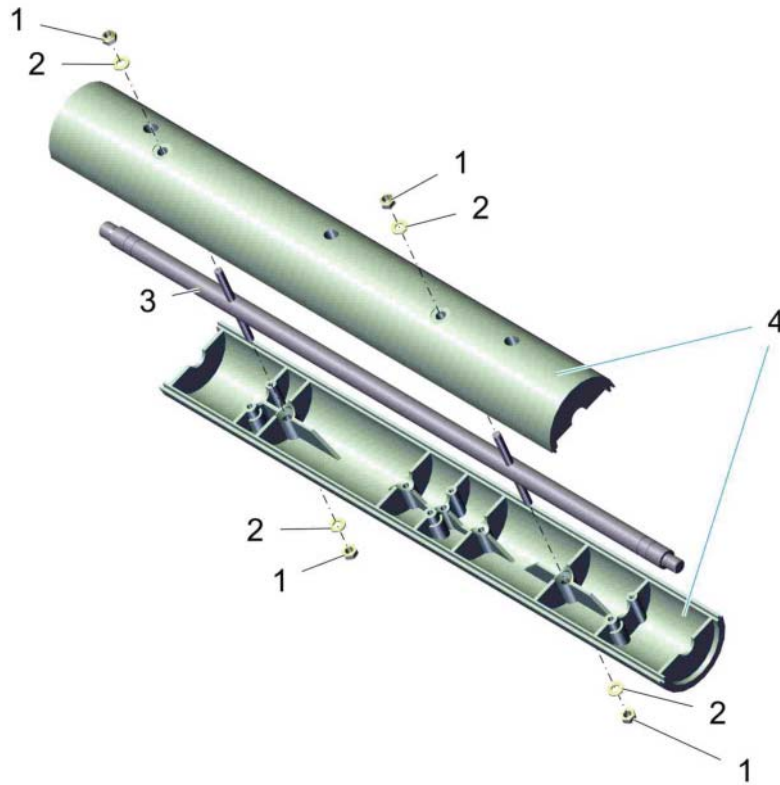
**Wiper (97144240)**



Item	Part number	Description	Qty.	Unit	Remarks
1	---	Spare part on request	1		92023910 rod
2	01271680	Washer	13		
3	01271700	Bushing	12		
4	01058400	Slide bearing bush	2		
5	00854420	Thrust washer	2		
6	---	Spare part on request	1		92039841 shaker rod

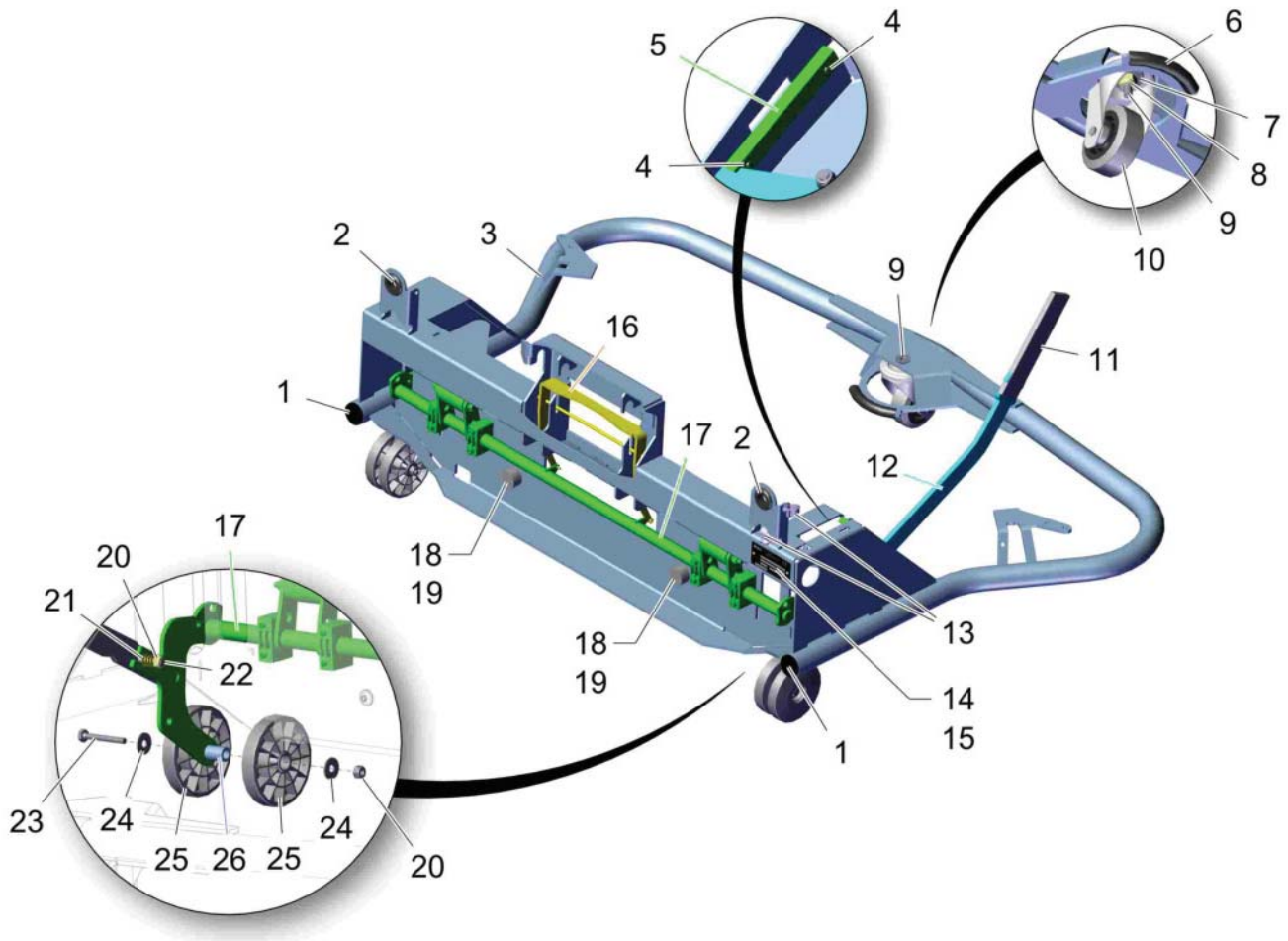


Broom shaft (97117170)



Item	Part number	Description	Qty.	Unit	Remarks
1	00051510	Hex. Nut	4		
2	00053750	Washer	4		
3	01136220	Broom shaft	1		
4	01136350	Sweeper roller	1		

Change frame 1300 (97150031)



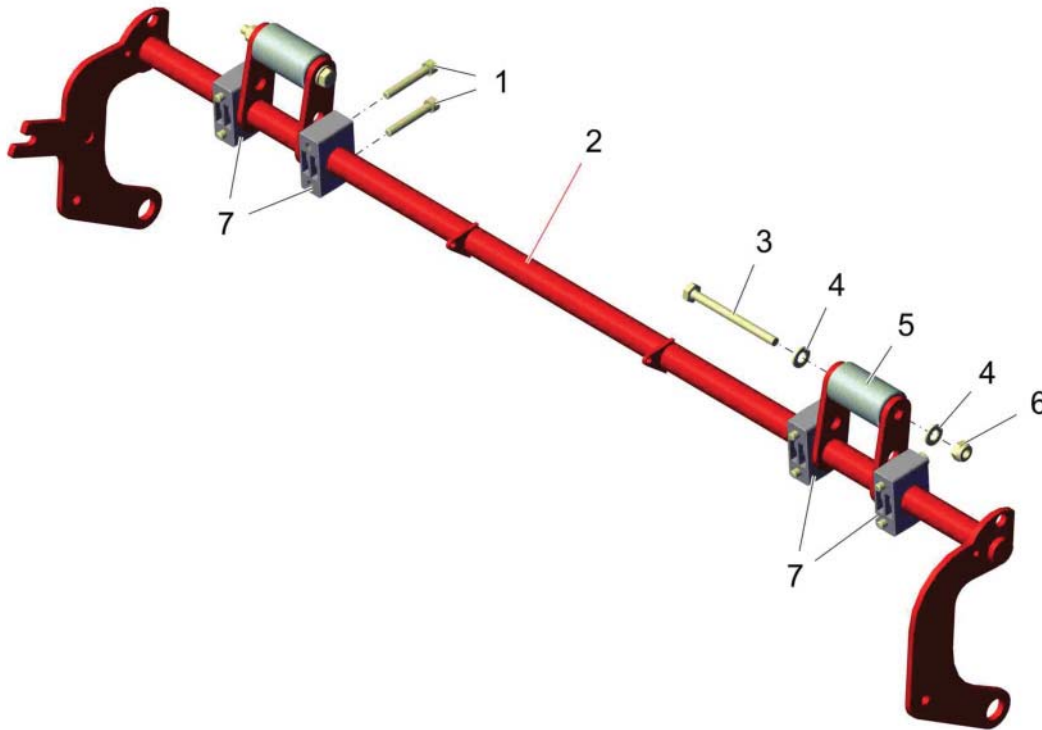
Item	Part number	Description	Qty.	Unit	Remarks
1	01131500	Plug	2		
2	01006640	Cable fitting	2		
3	03020920	hoop guard 1300	1		
4	00905520	Round head screw	2		
5	---	Spare part on request	1		92034461 sliding block
6	01132510	Hose	0,100		
7	00132610	Washer	1		
8	00051490	Hex. Nut	1		
9	01061010	Countersunk screw	1		
10	01171780	Steering roller	1		
11	01376940	handle	1		
12	01376850	handle	1		
13	01370710	retainer holder corrugated hose	2		
14	01073780	Nameplate	1		
15	01073790	Blind rivet	2		
16	97150627	Lock bracket	1		
17	97146930	Lifting handle	1		
18	00733560	Rubber-metal buffer	2		
19	01133350	Lens flange screw	2		
20	00051510	Hex. Nut	3		
21	00550410	Pressure spring	1		
22	01073500	Round head screw	1		
23	00053130	Hexagon screw	2		
24	00042900	Washer	4		
25	01171790	Deflector roller	4		
26	00975110	Bushing	2		

**Lock bracket (97150627)**



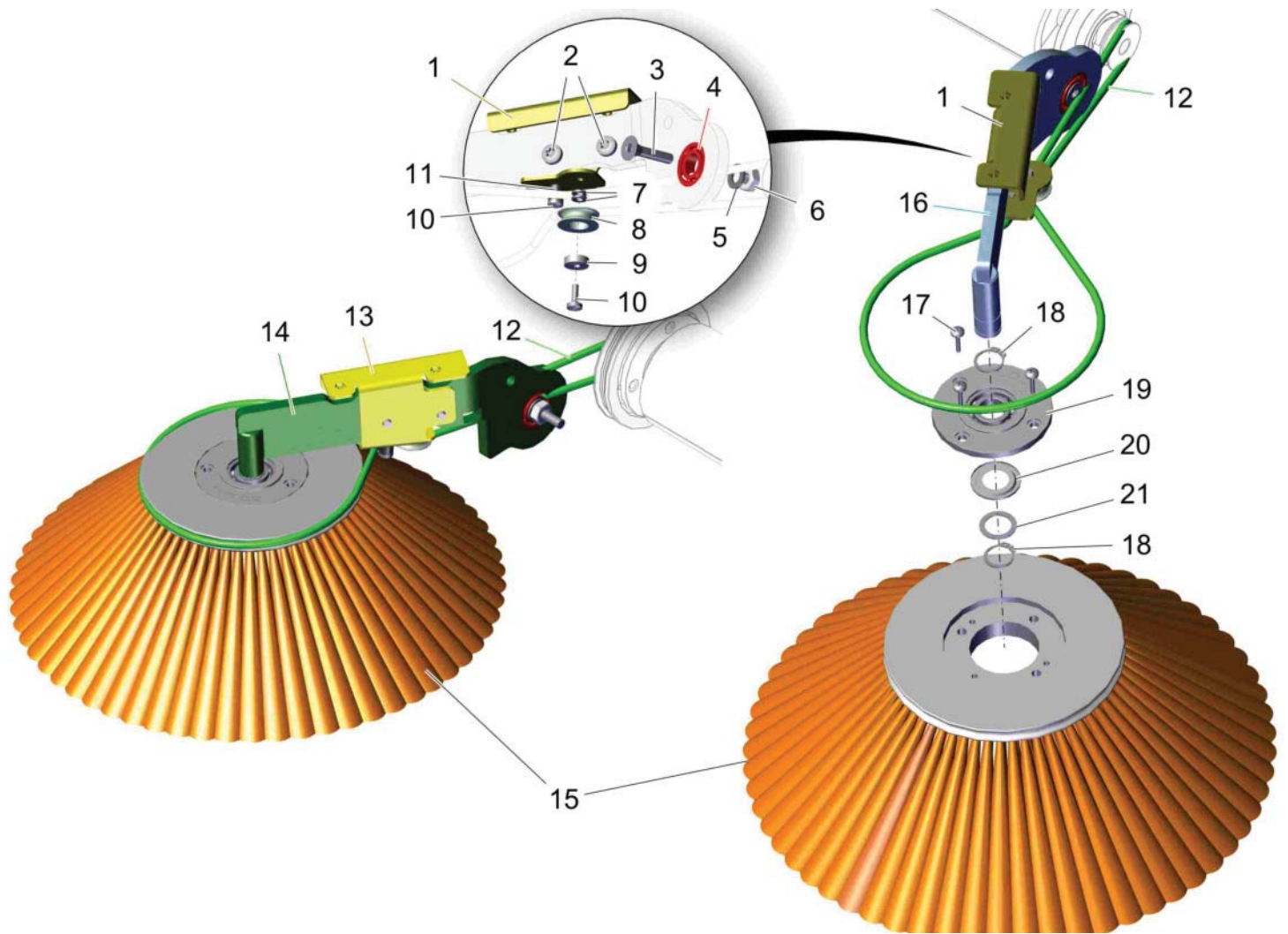
Item	Part number	Description	Qty.	Unit	Remarks
1	01142450	Protection cap	2		
2	01375410	locking bracket	1		
3	01375340	rod	1		
4	01272680	Screw	2		

Lifting handle (97146930)



Item	Part number	Description	Qty.	Unit	Remarks
1	---	Spare part on request	8		11702214 screw
2	03021800	excavated handle	1		
3	00020370	Hexagon screw	2		
4	00053750	Washer	4		
5	01110040	Roller	2		
6	00051510	Hex. Nut	2		
7	01271360	Bearing seat	8		

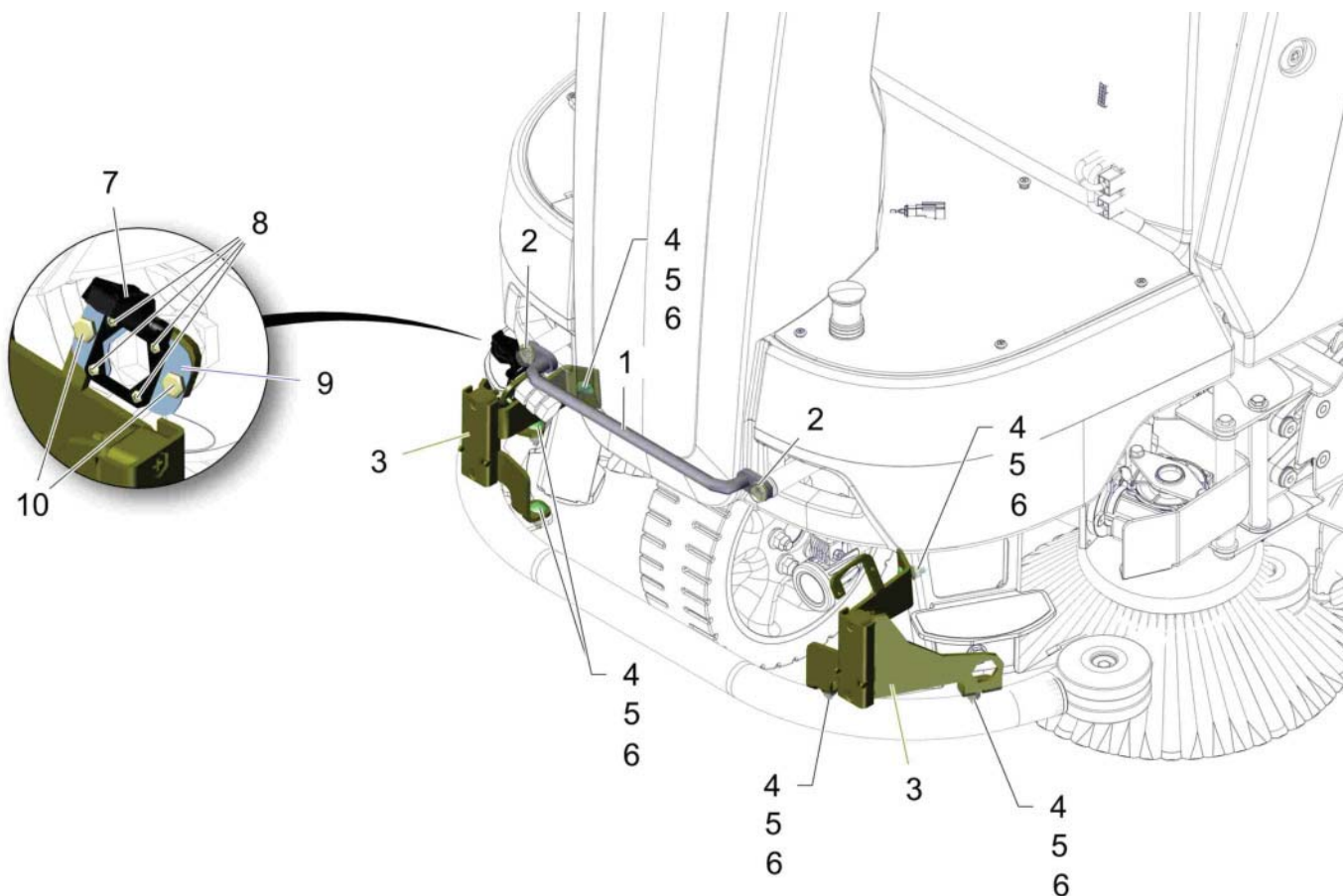
Side brush L.H. and R.H 1300 (97150015-97150247)



Item	Part number	Description	Qty.	Unit	Remarks
1	01375230	roll holder L.H.	1		
2	01272710	Lens head screw	4		
3	00535850	Countersunk screw	2		
4	00106300	Deep groove ball bearing	2		
5	00053760	Washer	2		
6	00053360	Hex. Nut	2		
7	00053730	Washer	4		
8	01179700	Deflection roller	2		
9	01175800	Grooved ball bearing	2		
10	00539730	Screw	4		
11	01271310	Bushing	2		
12	01375190	round belt	2		
13	01375350	roll holder R.H.	1		
14	01375570	side broom arm cranked R.H.	1		
15	01270920	Side broom PES	2		
16	01375420	side broom arm cranked L.H.	1		
17	01074430	Screw	6		
18	00054310	Retaining ring	4		
19	01173010	Flange bearing	2		
20	00537310	Ring	2		
21	00153700	Adjusting washer	2		



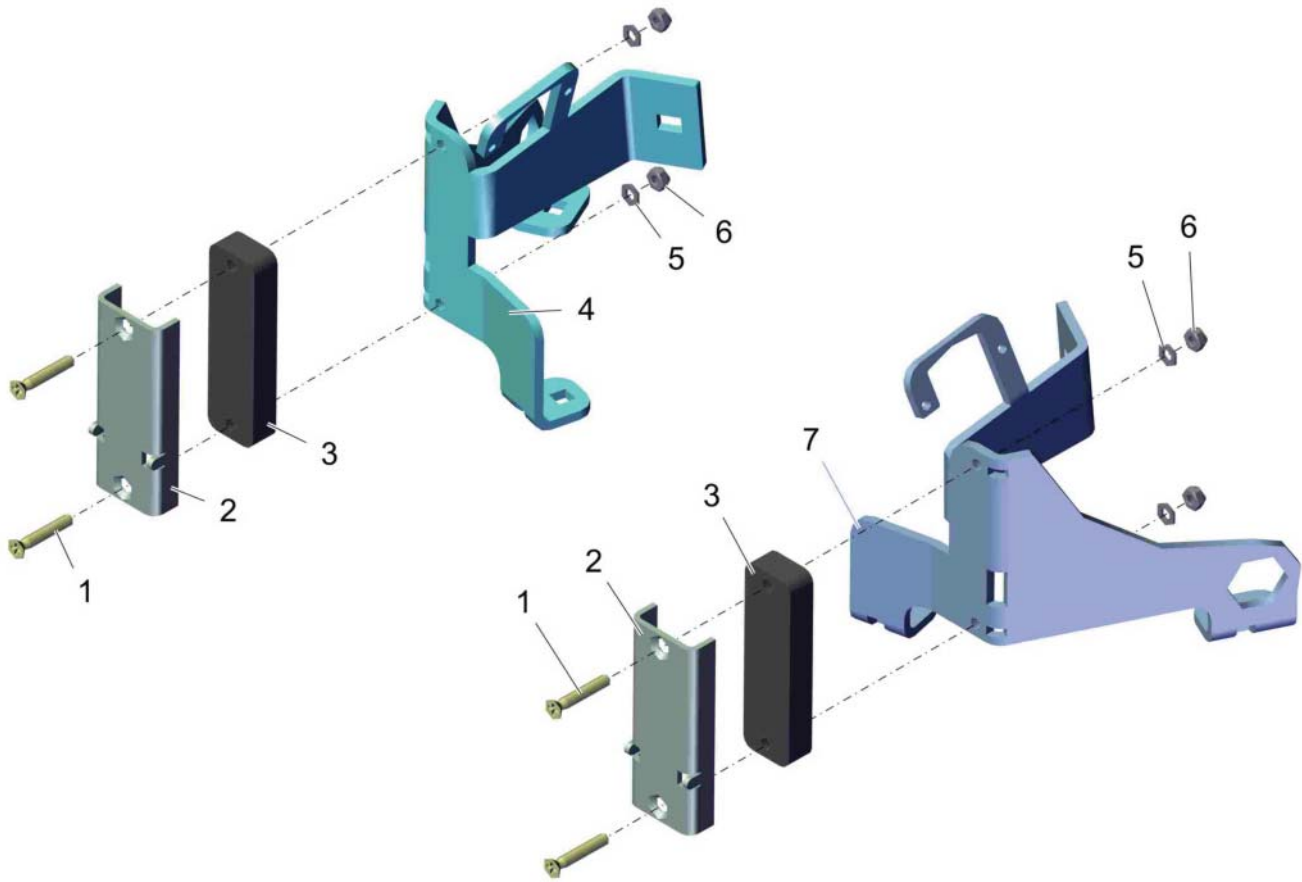
**Preliminary parts for pre-sweeping unit (97146948)**



Item	Part number	Description	Qty.	Unit	Remarks
1	01375760	bracket	1		
2	00053770	Washer	2		
3	97153357-97153365	Preliminary parts for pre-sweeping unit L.H. and R.H.	1		
4	01103290	Round head screw	6		
5	00053750	Washer	6		
6	00051510	Hex. Nut	6		
7	01496210	Flap lid	1		
8	01110570	Screw	4		
9	01375500	adapter	1		
10	01171270	Screw	2		

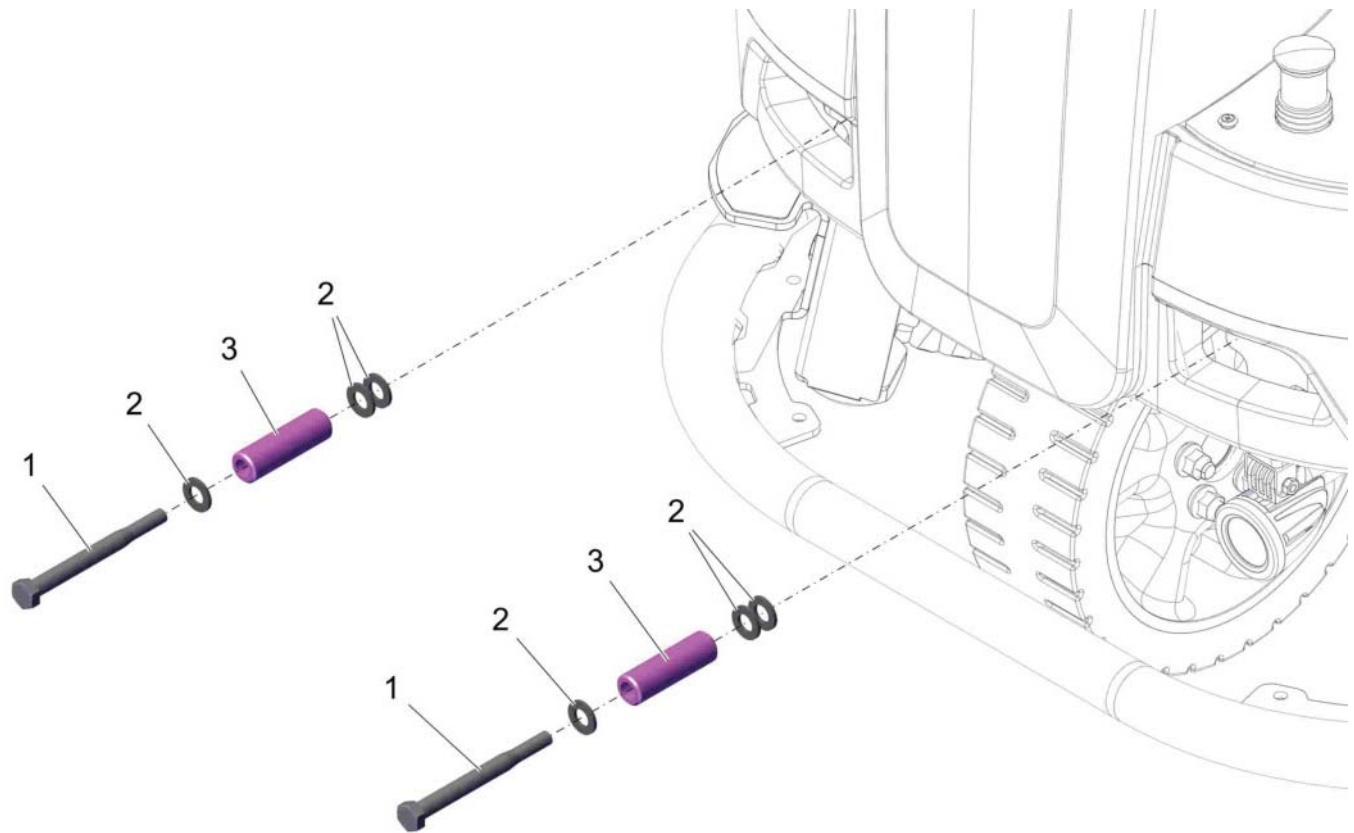


Preliminary parts for pre-sweeping unit L.H. and R.H. (97153357-97153365)



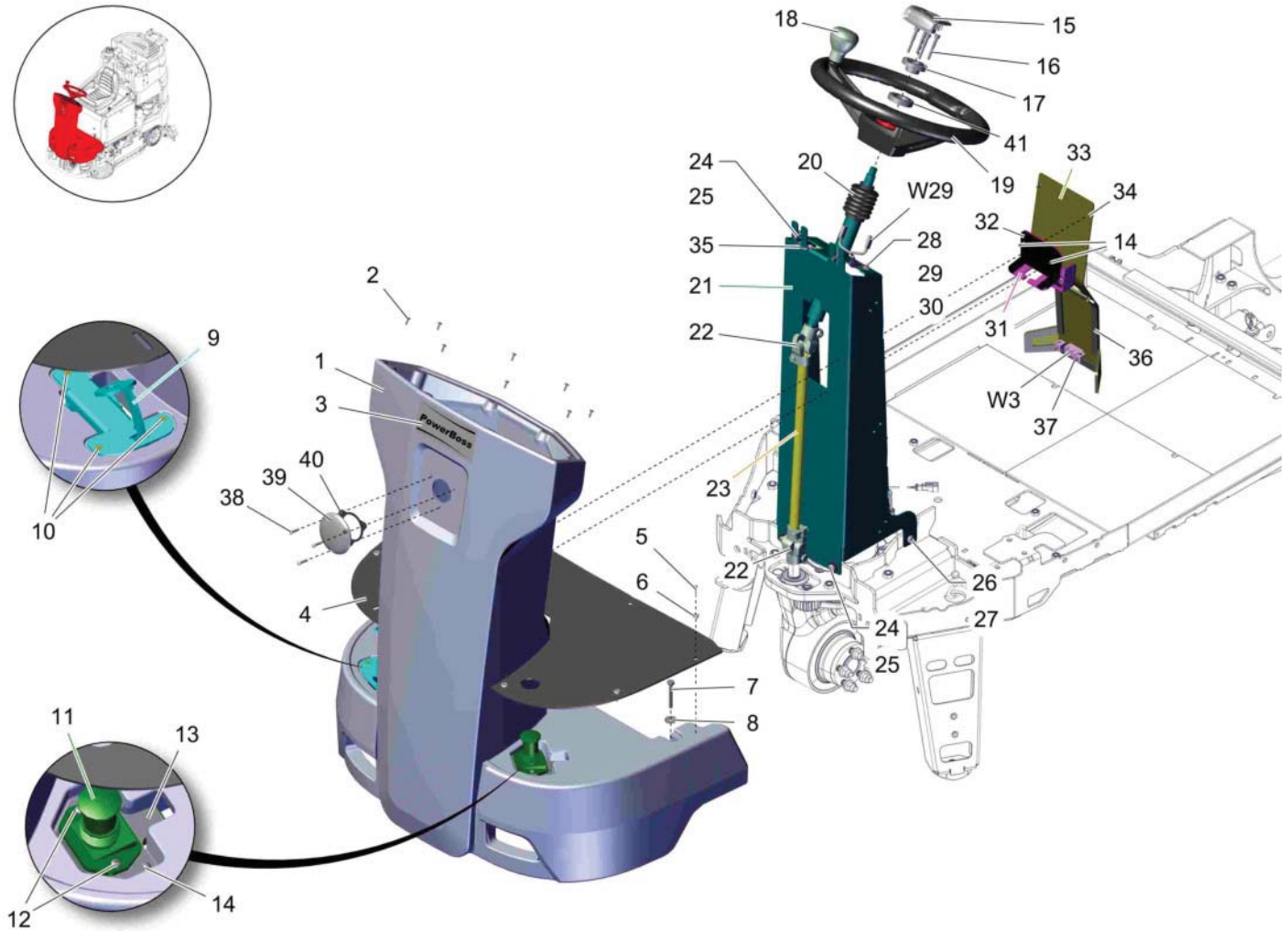
Item	Part number	Description	Qty.	Unit	Remarks
1	---	Spare part on request	4		11206505 countersunk screw
2	01375370	support	2		
3	01372250	buffer	2		
4	01376660	counter bearing R.H.	1		
5	00102150	Washer	4		
6	00102140	Hex. Nut	4		
7	01376710	counter bearing L.H.	1		

**Preliminary parts for pre-sweeping unit without driver's canopy (97154025)**



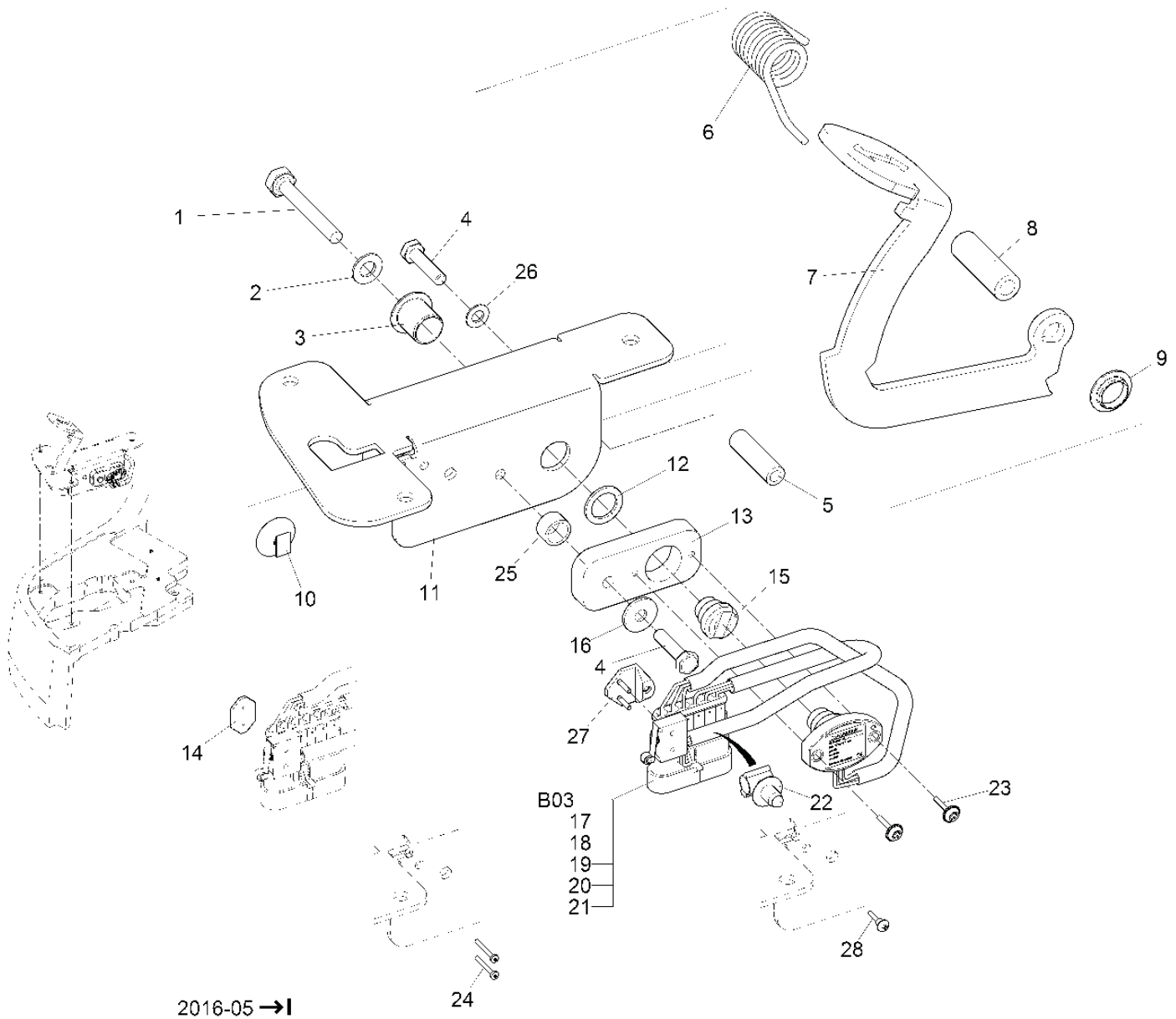
<b>Item</b>	<b>Part number</b>	<b>Description</b>	<b>Qty.</b>	<b>Unit</b>	<b>Remarks</b>
1	00025300	Hex.bolt	2		
2	00053770	Washer	6		
3	---	Spare part on request	2		90659350 pipe

Control console (97141402\_27)



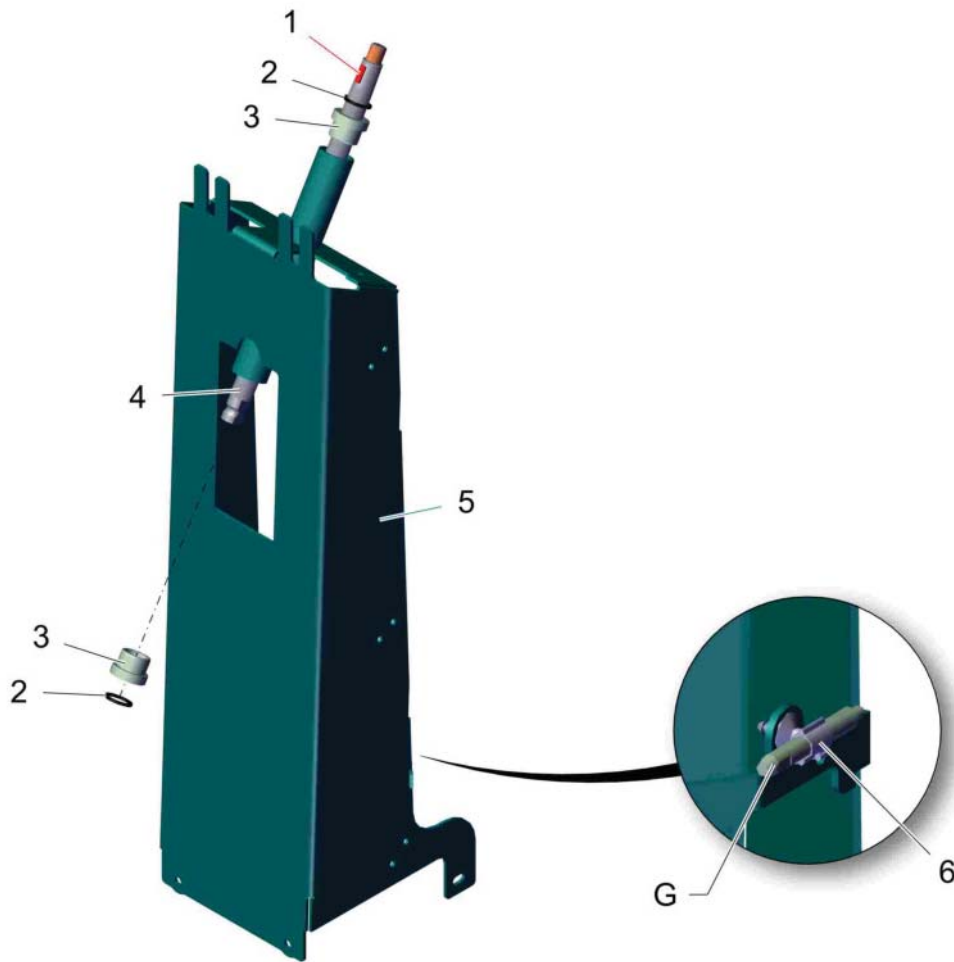
Item	Part number	Description	Qty.	Unit	Remarks
1	03019900	steering colum	1		
2	01136860	Countersunk screw	8		
3	03008970	Decal POWERBOSS	1		
4	01373190	floor mat	1		
5	01073120	Amtec screw	6		
6	01073130	Knob	6		
7	00053130	Hexagon screw	2		
8	00042900	Washer	2		
9	01378020	drive sensor	1		
10	01133380	Countersunk screw	3		
11	01145750	Foot switch	1		
12	00959220	Screw	2		
13	01372900	plate	1		
14	01078160	Screw	4		
15	01375260	steering wheel cab	1		
16	01382410	socket head screw	1		
17	01382520	flange	1		
18	01370020	knob	1		
19	01371160	steering wheel	1		
20	01054880	Bellows	1		
21	97135206	Steering system	1		
22	00746040	Cardan joint	2		
23	01373660	shaft	1		
24	00053080	Hexagon screw	2		
25	00740090	Detent edged washer	2		
26	01272710	Lens head screw	4		
27	00740080	Washer	4		
28	01071890	Hex.bolt	1		
29	01072030	Toothed washer	1		
30	00102140	Hex. Nut	1		
31	01372870	connector fixing	1		
32	01372120	gasket	1		
33	01372830	cover	1		
34	01072520	Lens flange screw	5		
35	00967760	Cable tie	1		
36	01372090	gasket	1		
37	01112160	Screw	2		
38	01078160	Screw	3		
39	01375240	cap	1		
40	01072000	Seal	1		
41	01382630	ring	1		
W3	03020300	wiring harness W3	1		illustrated content: OBDII-socket
W29	03020450	wiring harness W29	1		

Drive sensor (01378020)



Item	Part number	Description	Qty.	Unit	Remarks
1	00523790	Hex.bolt	1		
2	00101550	Washer	1		
3	00740190	Slide bearing bush	1		
4	00133130	Screw	2		
5	01064890	Hose	0,040		
6	01277850	Leg spring	1		
7	01372710	accelerator pedal	1		
8	01372690	clamping bush	1		
9	01055150	Slide bearing bush	1		
10	01278080	Mounting clip	1		
11	01372700	pedal retainer	1		
12	01372160	starting disk	1		
13	01372170	retainer	1		
14	01473610	Threaded plate	1		til appr. 2016-05
15	---	Spare part on request	1		96145941 Solenoid retainer
16	00854210	Washer	1		
17	01006190	Seal	6		
18	01141370	Hose	0,420		
19	00696680	Micro switch	1		
20	03003250	Pin housing	1		
21	01006210	Pin contact	6		
22	01493500	Retainer	1		
23	01078860	Screw	2		
24	01141220	Lens head screw	2		til appr. 2016-05
25	00901550	Bushing	1		
26	00053730	Washer	1		
27	01372180	retainer	1		from appr. 2016-06
28	00902430	Screw	1		from appr. 2016-06
B03	01277740	Angle sensor	1		incl. pos. 17-21!

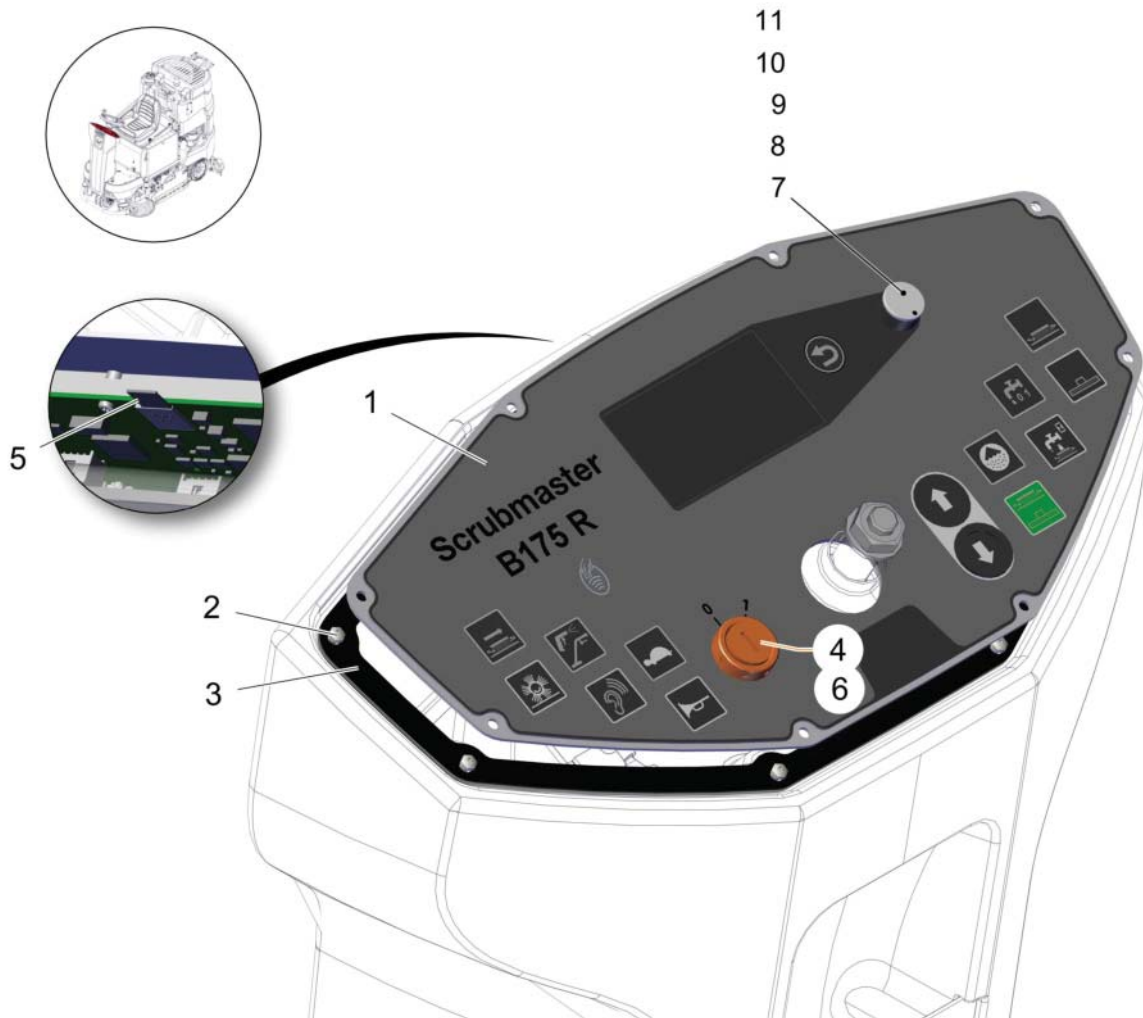
**Steering System (97135206)**



Item	Part number	Description	Qty.	Unit	Remarks
1	00701170	Woodruff key	1		
2	00554400	O-ring oil resistant	2		
3	00523630	Bushing	2		
4	01373910	shaft	1		
5	03020220	steering holder	1		
6	01493500	Retainer	1		
G	-	Not supplied alone!			handle to solve brake of drive unit

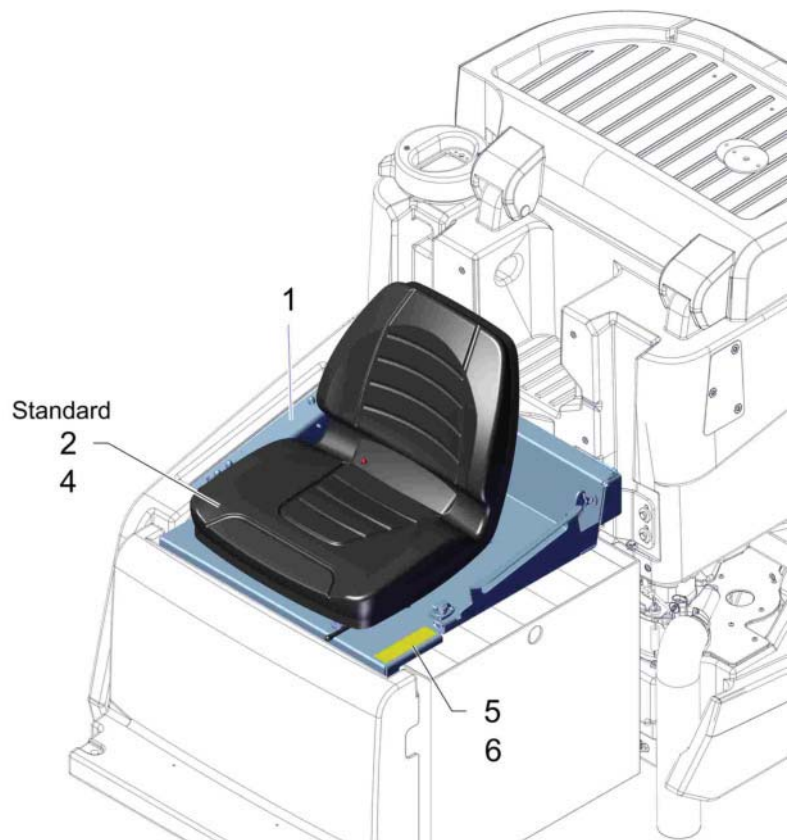
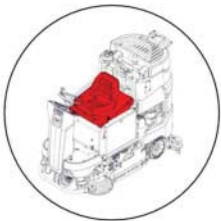


Control panel (97140412)



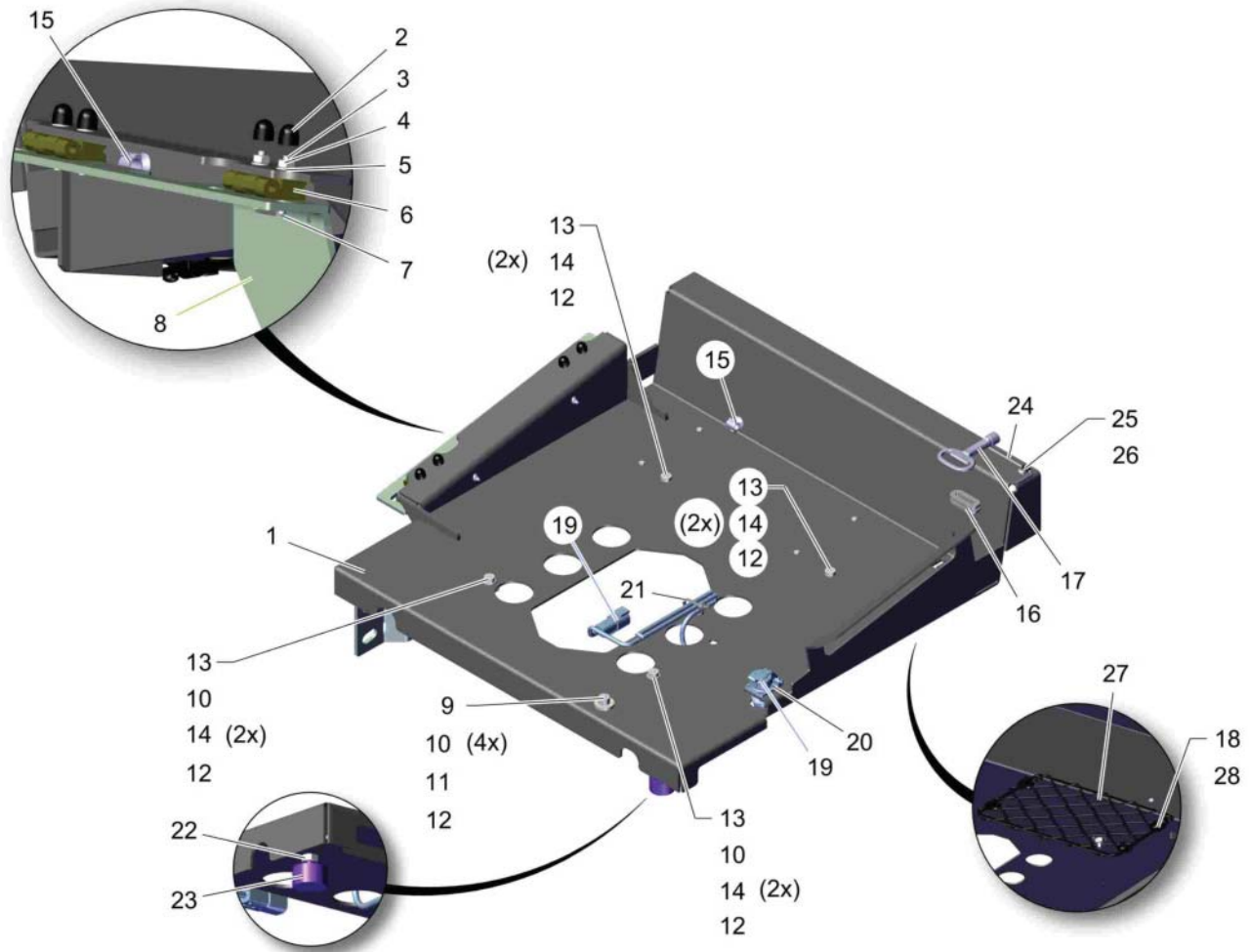
Item	Part number	Description	Qty.	Unit	Remarks
1	01372030	control panel	1		
2	01136860	Countersunk screw	8		
3	01372000	gasket	1		
4	00021710	Key switch	1		
5	01374870	smart card	1		
6	00745890	Set (2pc.) key	1		
7	01379950	gasket	1		
8	01379960	bushing	1		
9	01379970	connection cable DDS	1		
10	01379980	control panel	1		
11	01379990	turning knob	1		

Seat group - seat variants (97145437)



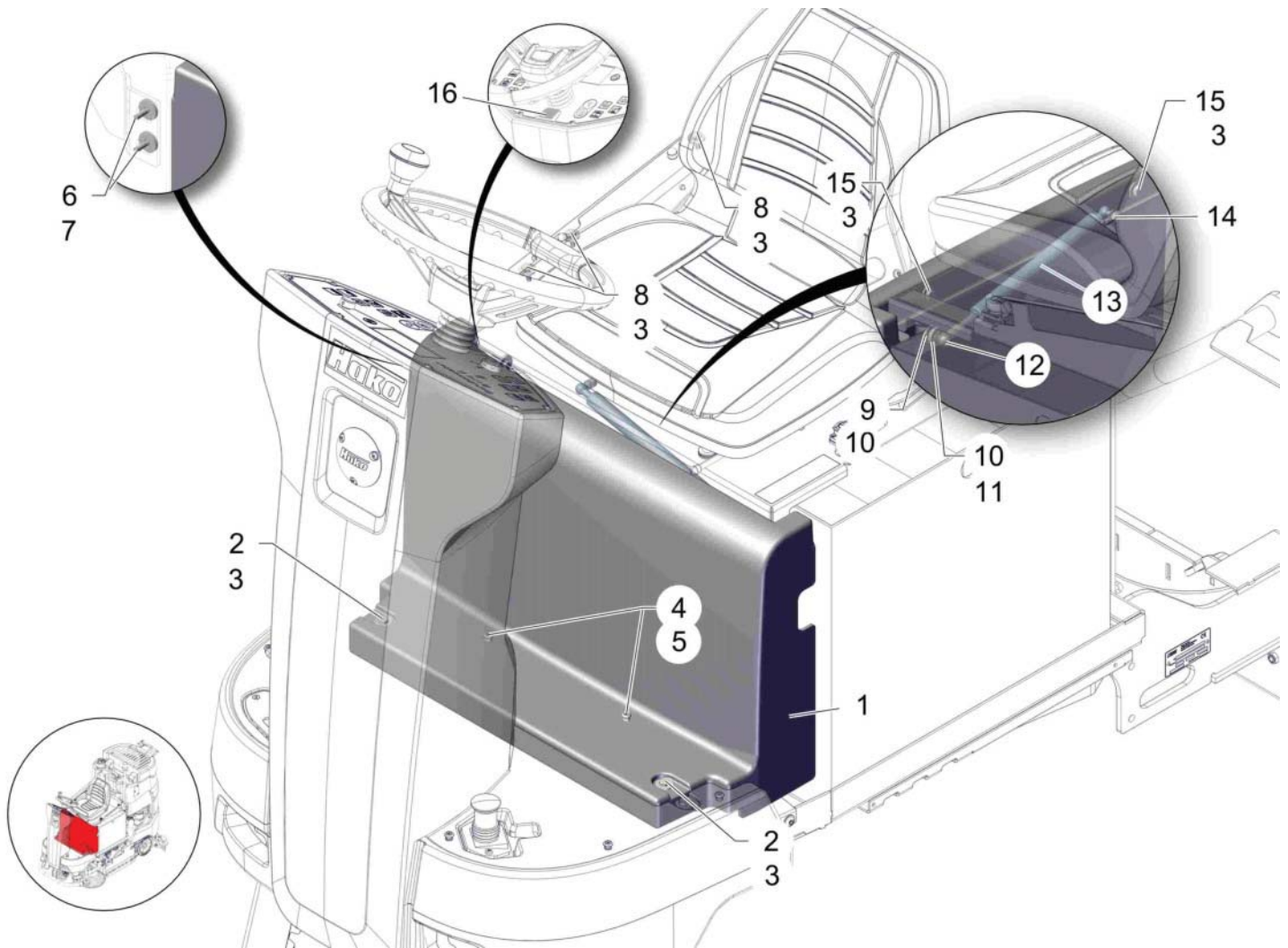
Item	Part number	Description	Qty.	Unit	Remarks
1	<b>97141394</b>	<b>Seat plate</b>	<b>Page</b>	<b>56</b>	
2	01277650	seat	1		
3	01370010	driver seat	1		
4	01277700	Seat contact switch	1		
5	01371840	decals SIGN_GRADE 6	1		6%
5	---	Spare part on request	1		92022599 belt buckle
6	---	Spare part on request	1		92022581 belt retractor
6	01376870	decals GRADE 15	1		15%

Seat plate (97141394)



Item	Part number	Description	Qty.	Unit	Remarks
1	03020250	seat sheet metal	1		
2	00525910	Lens cap	4		
3	01271620	Countersunk screw	4		
4	00053330	Hex. Nut	4		
5	00740280	Washer	4		
6	00740450	Hinge	2		
7	00872460	Countersunk screw	4		
8	01373720	bearing sheet metal	1		
9	00045540	Cylinder head screw	1		
10	00053750	Washer	6		
11	00740310	Washer	1		
12	00051510	Hex. Nut	5		
13	00102790	Cylinder head screw	4		
14	00042900	Washer	8		
15	01493500	Retainer	3		
16	00028800	Socket	1		
17	00071900	Key	1		
18	00051890	Countersunk screw	4		
19	01371470	USB charging connection	1		
20	01110570	Screw	4		
21	00967760	Cable tie	2		
22	00053350	Hex. Nut	1		
23	00538440	Buffer	1		
24	---	Spare part on request	1		92017755 socket head wrench
25	00903290	Tube clamp	1		
26	00501420	Screw	1		
27	01172540	Luggage rack	1		
28	00133830	Hex. Nut	4		

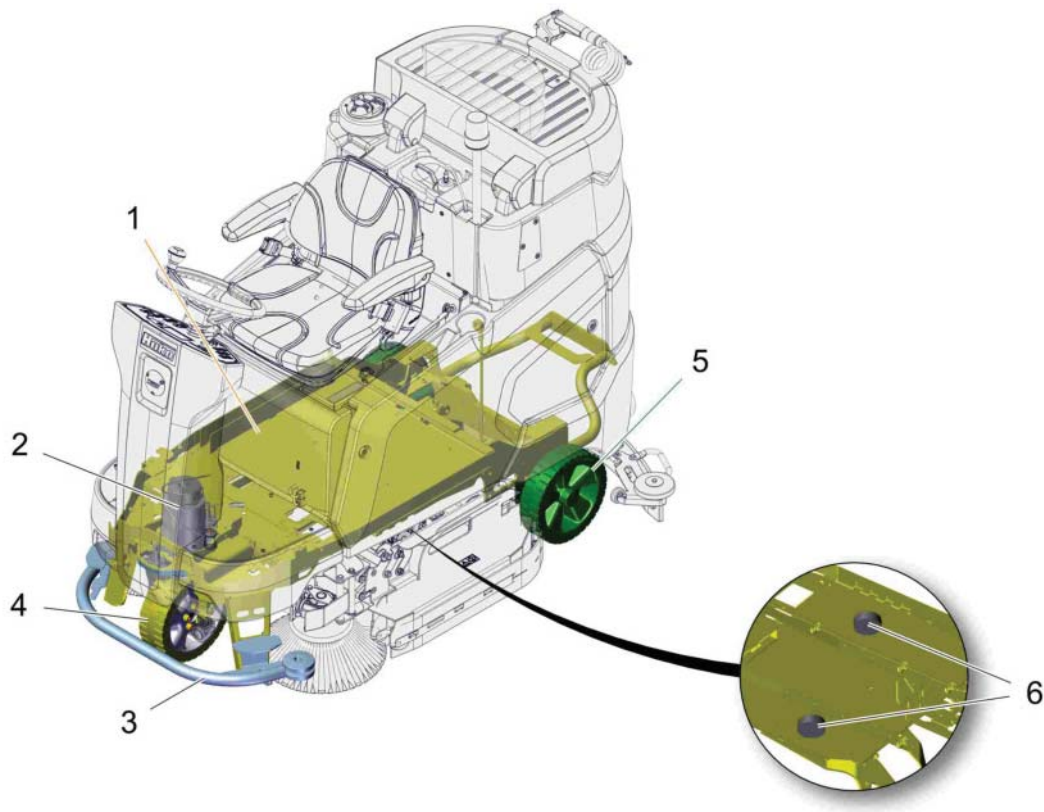
Operation area - covering for electric equipment (97141386)



Item	Part number	Description	Qty.	Unit	Remarks
1	01372210	covering	1		
2	00053130	Hexagon screw	2		
3	00042900	Washer	7		
4	01073130	Knob	2		
5	01073120	Amtec screw	2		
6	00053100	Hexagon screw	2		
7	00047990	Disk wheel	2		
8	00553690	Hex.bolt	3		
9	01373600	bushing	1		
10	01102770	Approach disk	2		
11	00902280	Washer	1		
12	00527690	Angle joint	1		
13	01111640	Gas-pressurized spring	1		
14	00051510	Hex. Nut	1		
15	00704610	Hex.bolt	2		
16	03019480	adhesive label	1		



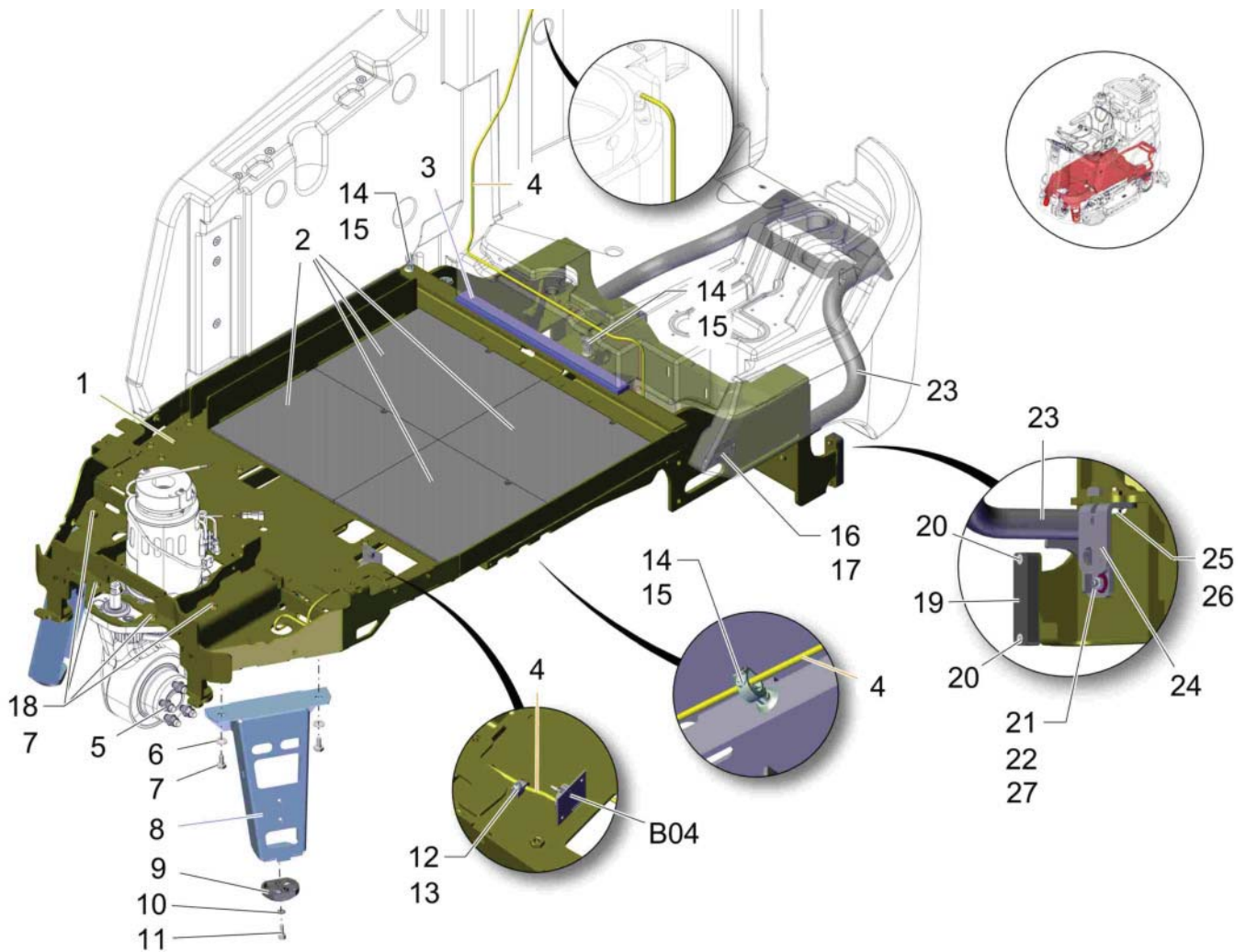
Chassis (97140578\_60)





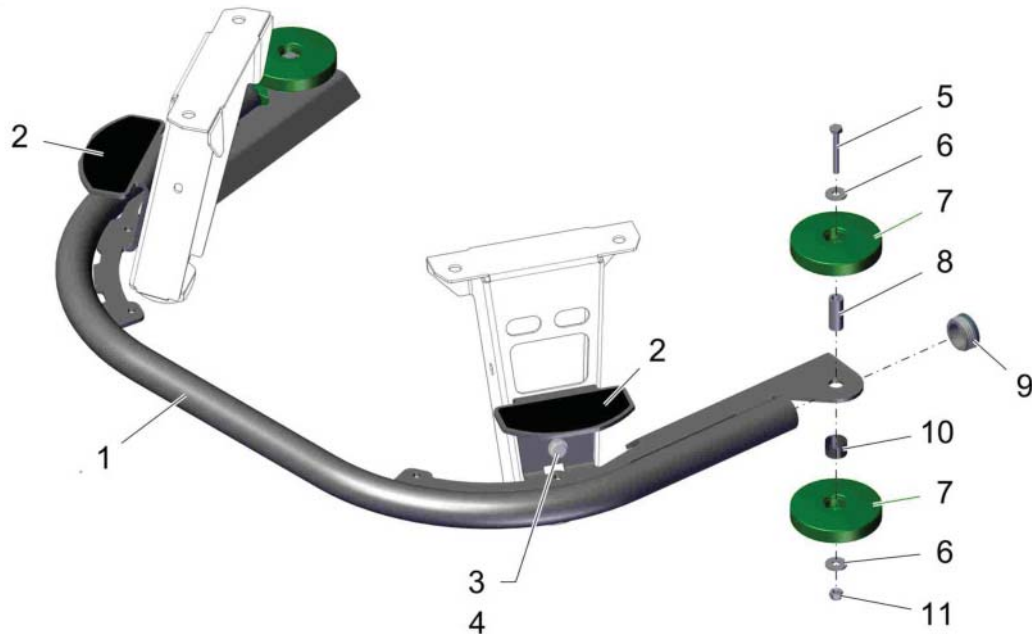
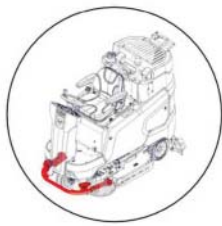
Item	Part number	Description	Qty.	Unit	Remarks
1	97141253	Chassis	1		
2	01371270	traction drive AC 36V 1,9kW	1		
3	97144950	Front bumper disk brush head 900 / cyl. brush head 850	1		
4	01371440	wheel	1		
5	97141246	Rear axle, not driven	1		
6	01278160	Buffer	2		

## Chassis (97141253)



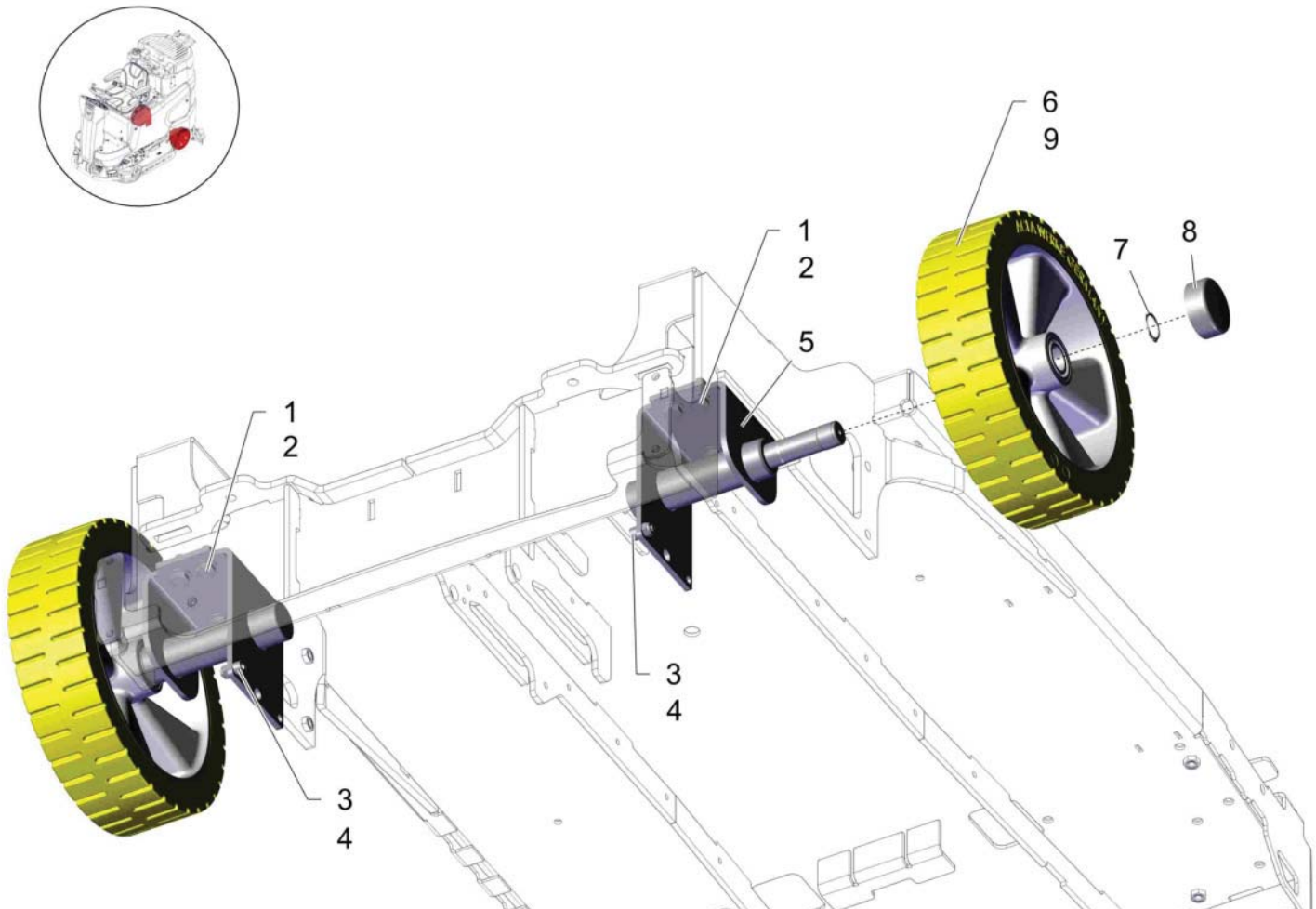
Item	Part number	Description	Qty.	Unit	Remarks
1	03020230	chassis	1		
2	01371760	mat	4		
3	01371730	support	1		
4	01372290	hose	2,570		
5	00156320	Spherical collar nut	5		With every exchange of wheel exchange the nuts, too, please!
6	00021130	Hex.bolt	4		
7	00740290	Detent edged washer	10		
8	01373890	support	2		
9	01371320	stay	2		
10	00740310	Washer	2		
11	00045540	Cylinder head screw	2		
12	00100550	Clamp	1		
13	00959220	Screw	1		
14	01370250	retainer	9		
15	01370240	mounting feet	9		
16	01073780	Nameplate	1		
17	00131600	Rivet	2		
18	00053160	Hexagon screw	6		
19	01372250	buffer	2		
20	00508990	Countersunk screw	4		
21	00053350	Hex. Nut	2		
22	00740080	Washer	2		
23	01373940	bumper	1		
24	01373760	angle	2		
25	00053100	Hexagon screw	2		
26	00740090	Detent edged washer	2		
27	01112000	Threaded pin	2		
B04	01371480	pressure sensor	1		

**Front bumper disk brush head 900 (97144950)**



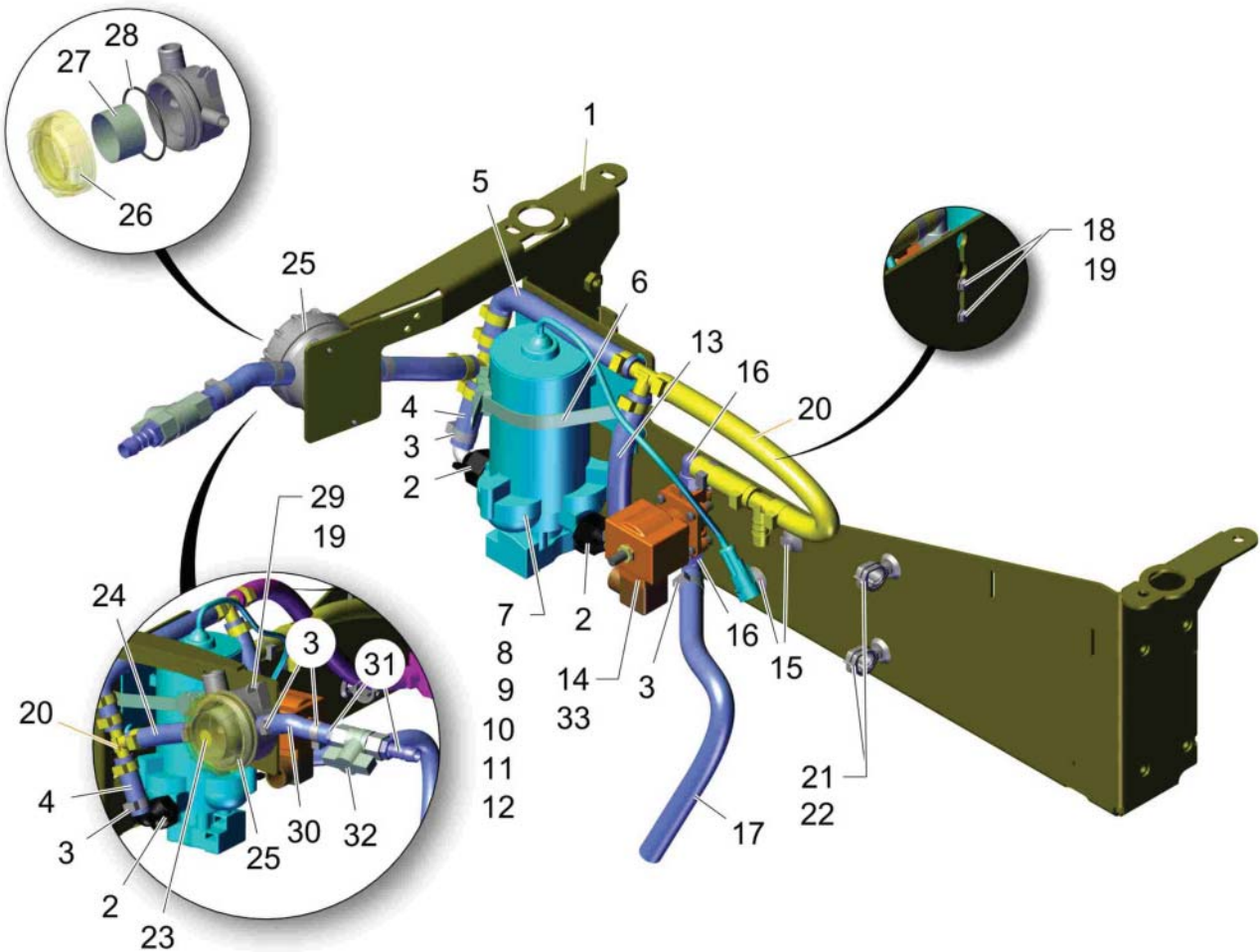
Item	Part number	Description	Qty.	Unit	Remarks
1	01372130	bumper	1		
2	01372260	decal	2		
3	00021130	Hex.bolt	4		
4	00740290	Detent edged washer	4		
5	00053130	Hexagon screw	2		
6	00042900	Washer	4		
7	01171790	Deflector roller	4		
8	00975110	Bushing	2		
9	01135410	sealing plug	2		
10	01228800	Hose	0,040		
11	00051510	Hex. Nut	2		

Rear axle, not driven (97141246)



Item	Part number	Description	Qty.	Unit	Remarks
1	00053310	Hexagon screw	8		
2	00740290	Detent edged washer	8		
3	00154410	Cylinder head screw	2		
4	00051510	Hex. Nut	2		
5	01373880	spindle support	2		
6	01371550	wheel	2		
7	00022460	Retaining ring	2		
8	01171530	Cap	2		
9	00281050	Deep groove ball bearing	2		

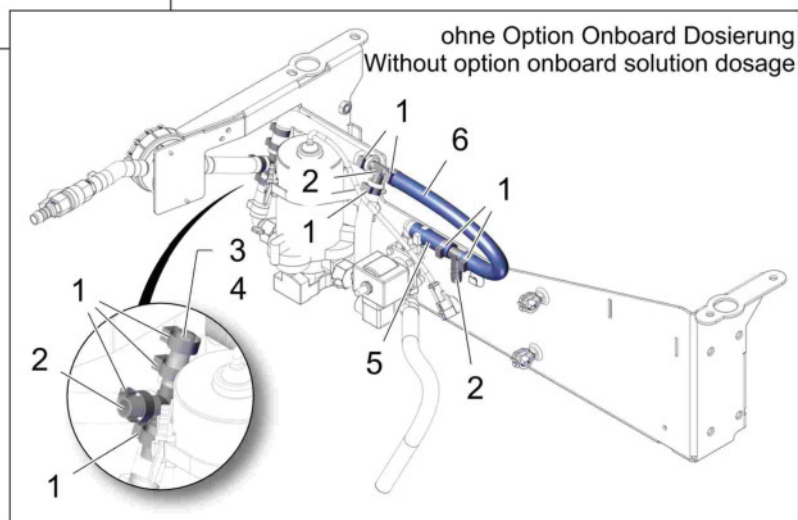
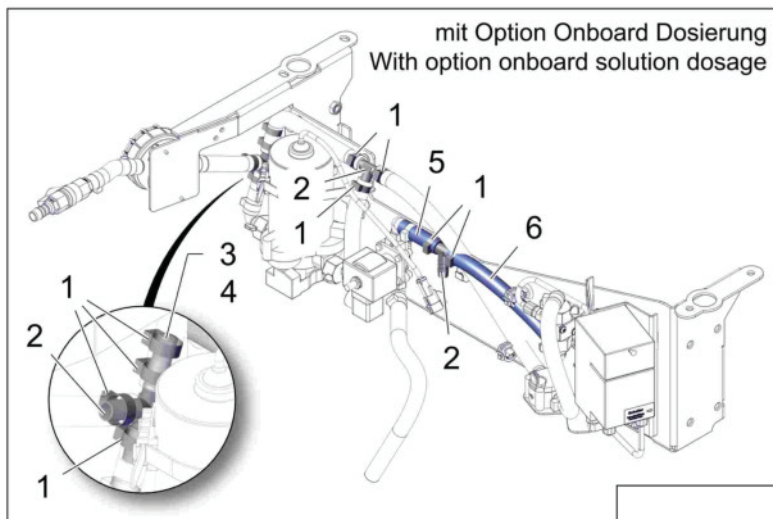
Without option onboard solution dosage but with spraying tools (97140115-3)



Item	Part number	Description	Qty.	Unit	Remarks
1	01373870	sheet metal	1		
2	00154140	Screwed angle fitting	2		
3	01376430	hose clamp	7		
4	00112010	Hose	0,050		
5	00112010	Hose	0,200		
6	01073340	Cable tie	1		
7	00543750	Pump	1		
8	01135470	pin housing	1		
9	01063790	Pin contact	2		
10	00903580	Gasket	2		
11	00903190	Flat connector	1		
12	01052080	Valve plate	1		
13	00112010	Hose	0,120		
14	01071000	Electrovalve	1		
15	01278080	Mounting clip	2		
16	00020020	Angle socket	2		
17	00112010	Hose	0,320		
18	00058580	Hex.bolt	2		
19	00053710	Washer	4		
20	97145486	Preliminary parts for spraying tools on water plate	1		
21	01370250	retainer	2		
22	01370240	mounting feet	2		
23	01179160	Decal yellow point	1		
24	00112010	Hose	0,100		
25	01077170	Water filter	1		
26	01177090	Filter cover	1		
27	01178210	Strainer	1		
28	01178130	O-ring	1		
29	01112160	Screw	2		
30	00112010	Hose	0,080		
31	00976140	Screwed plug	2		
32	00952760	Ball tap	1		
33	01371990	valve connector	1		



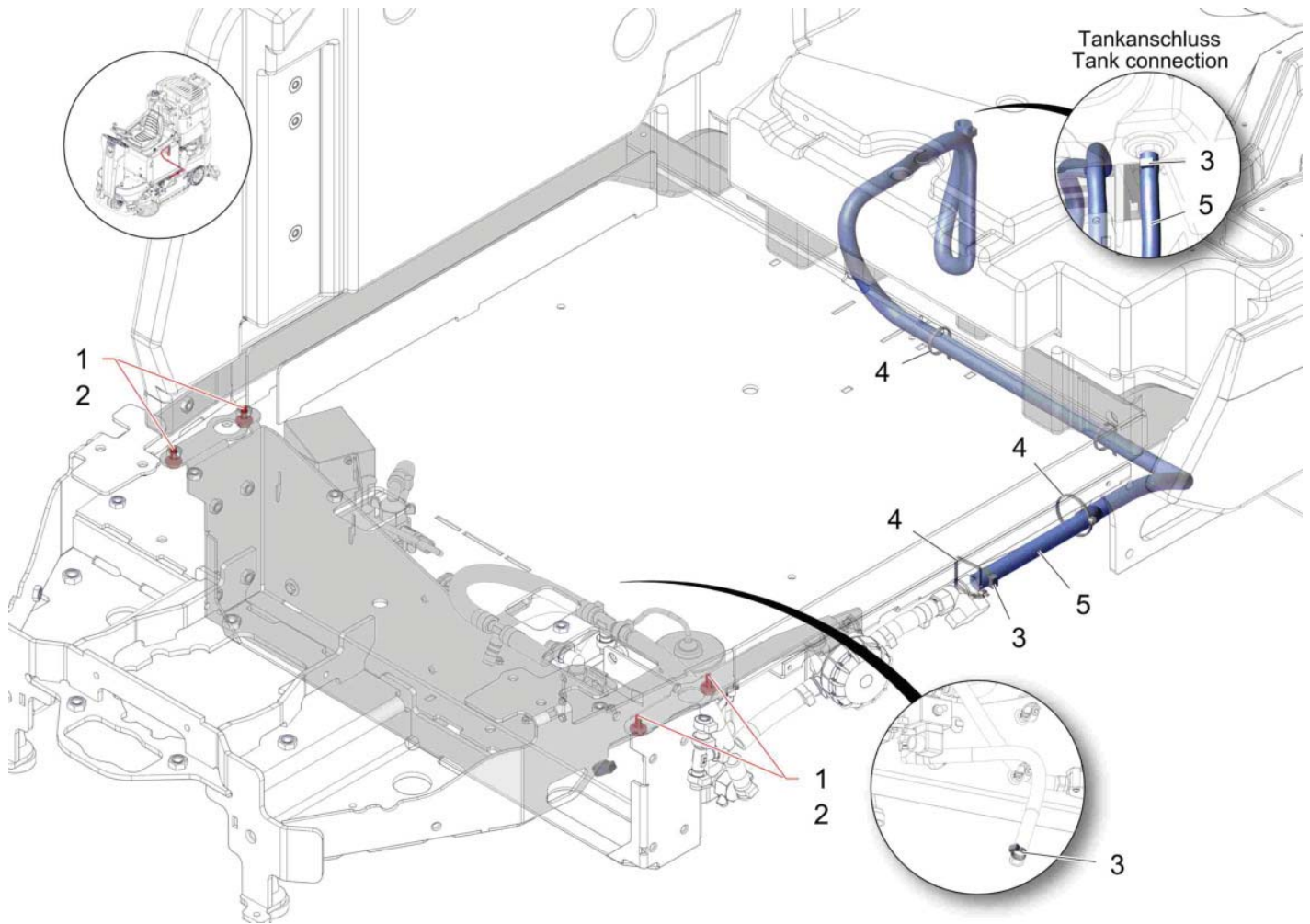
## Preliminary parts for spraying tools on water plate (97145486)



Item	Part number	Description	Qty.	Unit	Remarks
1	01376430	hose clamp	9		
2	00976160	T-piece	3		
3	01371810	recycling stop	1		
4	01372620	plain bearing bush	1		
5	00112010	Hose	0,060		
6	00112010	Hose	0,220		

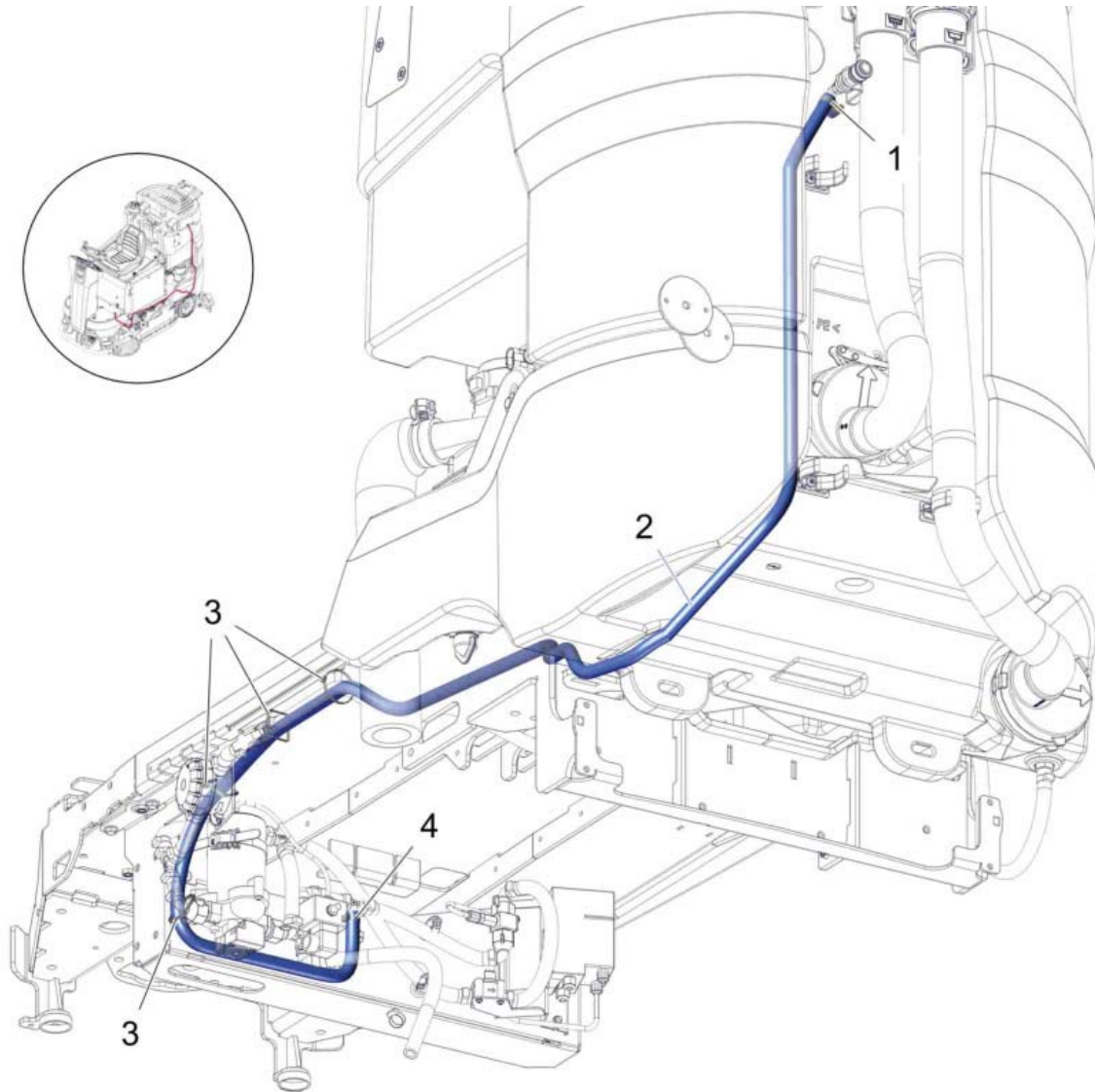


Tank connection water system (97138200)



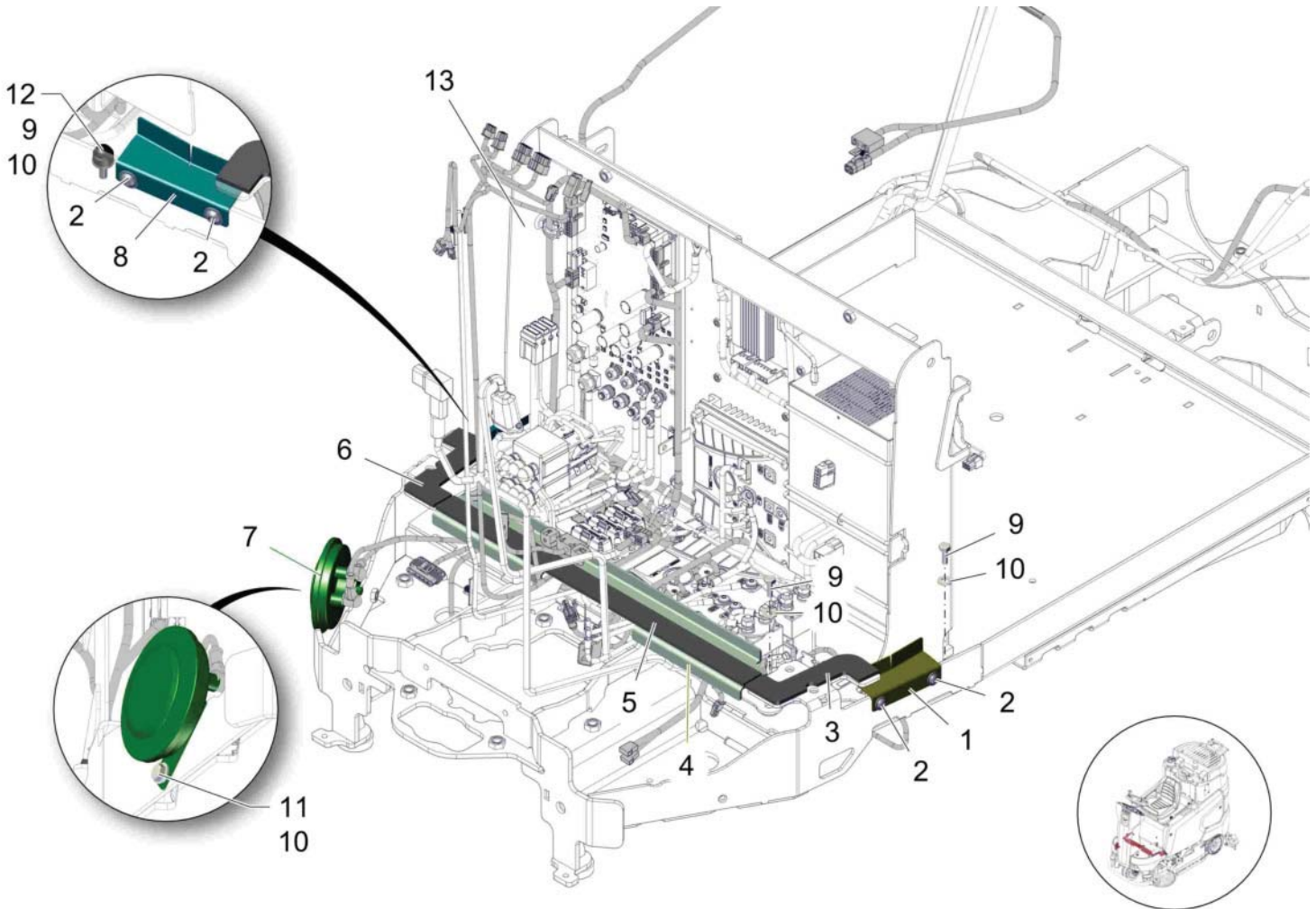
Item	Part number	Description	Qty.	Unit	Remarks
1	00053080	Hexagon screw	4		
2	00740090	Detent edged washer	4		
3	01376430	hose clamp	3		
4	00967760	Cable tie	4		
5	00112010	Hose	1,610		

Preliminary parts for spraying tools (97142061)



<b>Item</b>	<b>Part number</b>	<b>Description</b>	<b>Qty.</b>	<b>Unit</b>	<b>Remarks</b>
1	01015350	Hose clamp	1		
2	00112010	Hose	2,470		
3	00967760	Cable tie	4		
4	01376430	hose clamp	1		

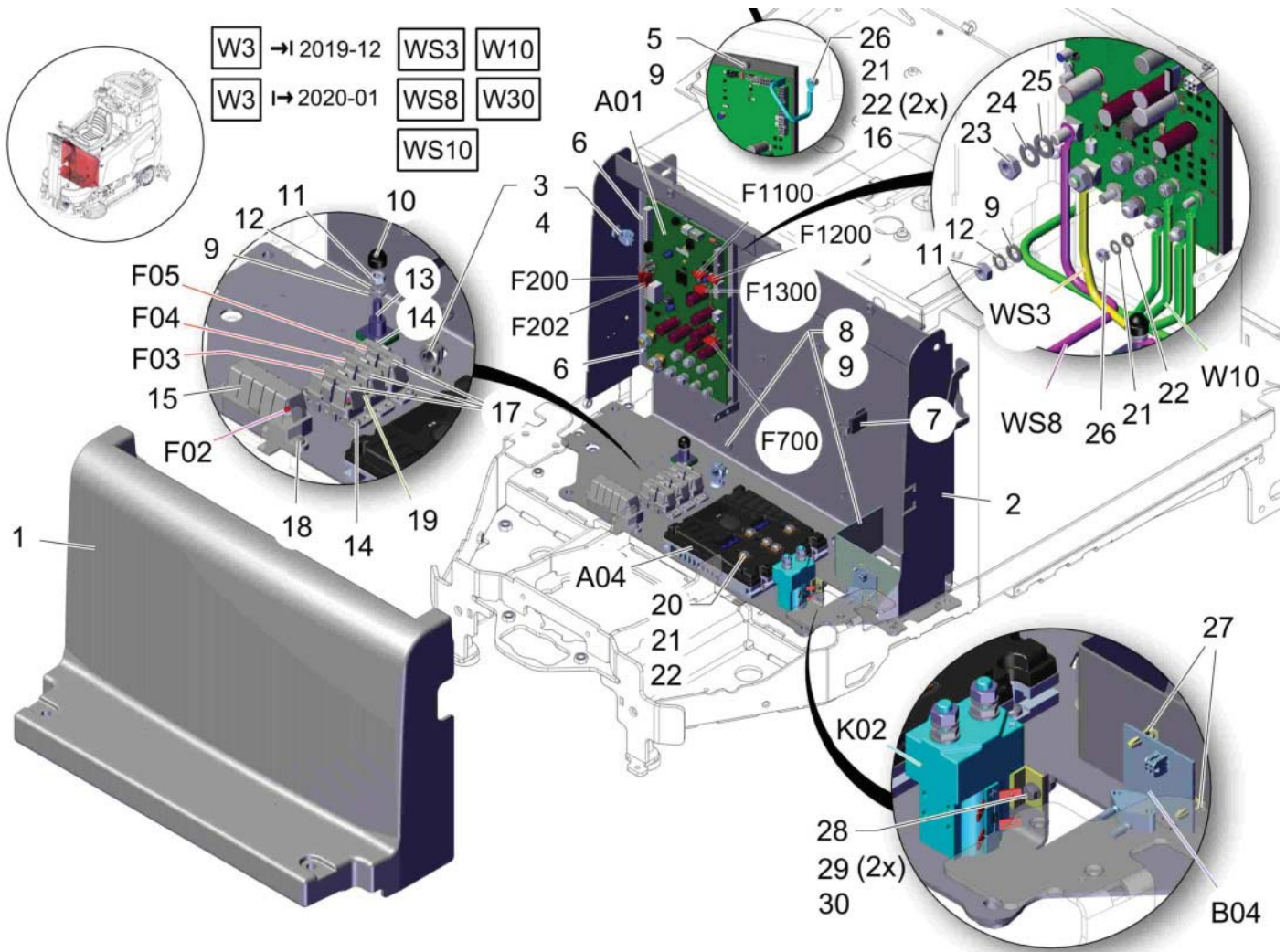
Electric equipment (97141840\_27)



Item	Part number	Description	Qty.	Unit	Remarks
1	01373390	splash guard L.H.	1		
2	01133350	Lens flange screw	4		
3	01372230	gasket L.H.	1		
4	01373430	gasket sheet metal	1		
5	01222400	Sealing tape black	0,510		
6	01372340	gasket R.H..	1		
7	00050810	Signal horn	1		
8	01373360	splash guard R.H.	1		
9	00053090	Hexagon screw	5		
10	00740090	Detent edged washer	6		
11	00536320	Hex.bolt	1		
12	00131610	Lens cap	1		
13	EL_B175_27	Electric plate, configurable	1		

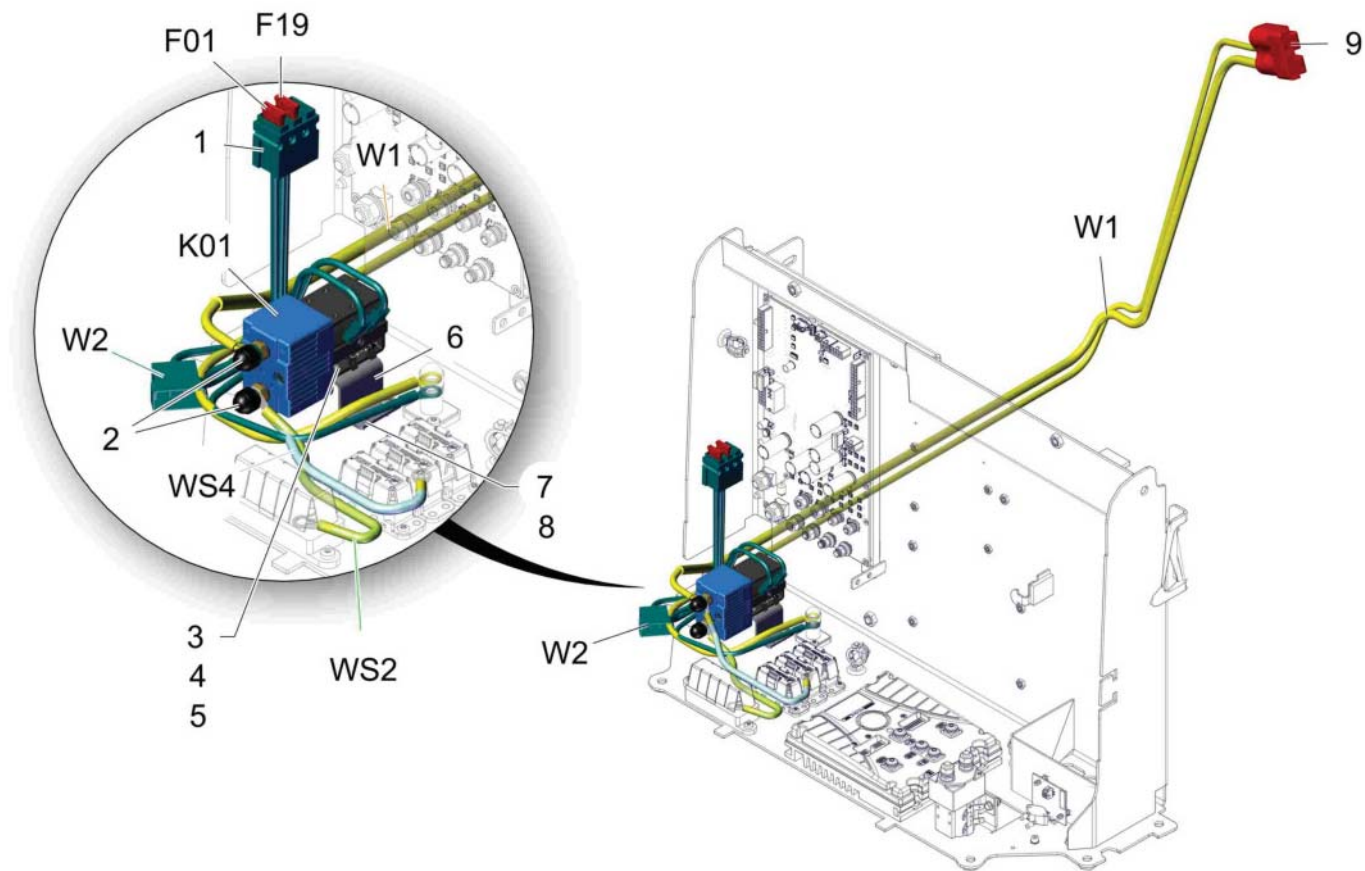


Base electric plate (97141907)



Item	Part number	Description	Qty.	Unit	Remarks
1	01372210	covering	1		
2	03020240	carrier	1		
3	01370250	retainer	3		
4	01370240	mounting feet	3		
5	00045540	Cylinder head screw	1		
6	01493500	Retainer	2		
7	01222400	Sealing tape black	0,030		
8	00151810	Hexagon screw	2		
9	00053750	Washer	8		
10	00131610	Lens cap	1		
11	00053350	Hex. Nut	5		
12	00053850	Spring washer	5		
13	00744670	Single clamp	1		
14	01112160	Screw	6		
15	01371390	fuse holder	1		
16	00872460	Countersunk screw	1		
17	01473870	Fuse holder	3		
18	00959220	Screw	6		
19	01376390	current bar	1		
20	01072520	Lens flange screw	5		
21	00053840	Spring washer	9		
22	00053730	Washer	10		
23	00053360	Hex. Nut	2		
24	00053860	Spring washer	2		
25	00053760	Washer	2		
26	00053330	Hex. Nut	5		
27	00745840	Print plate holder	2		
28	00054410	Hex.bolt	2		
29	00053720	Washer	4		
30	00051340	Hex. Nut	2		
A01	01379680	controller	1		incl. fuses F200, F202, F700, F1100, F1200, F1300
A04	01371510	driving control	1		
B04	01371480	pressure sensor	1		
F02	01371410	fuse link	1		machine controller
F03	01371300	fuse link	1		drive control front
F04	01371250	fuse link	1		drive control rear
F05	01371170	fuse link	1		front sweeper / side broom
F200	01376830	fuse link FKS C3A 80V	1		content of A1
F202	01376830	fuse link FKS C3A 80V	1		content of A1
F700	01376770	fuse link FKS C25A 80V	1		content of A1
F1100	00874970	Fuse	1		content of A1
F1200	00874970	Fuse	1		content of A1
F1300	00874970	Fuse	1		content of A1
K02	00965060	Solenoid switch	1		
W3a	03020300	wiring harness W3	1		til appr.2019-12
W3b	03022810	wiring harness W3			from appr.2020-01
W10	03020410	wiring harness W10	1		
W30	03020280	wiring harness W30	1		
WS3	03020430	cable loom WS3	1		
WS8	03020290	cable loom WS8	1		
WS10	03020420	cable loom WS10	1		

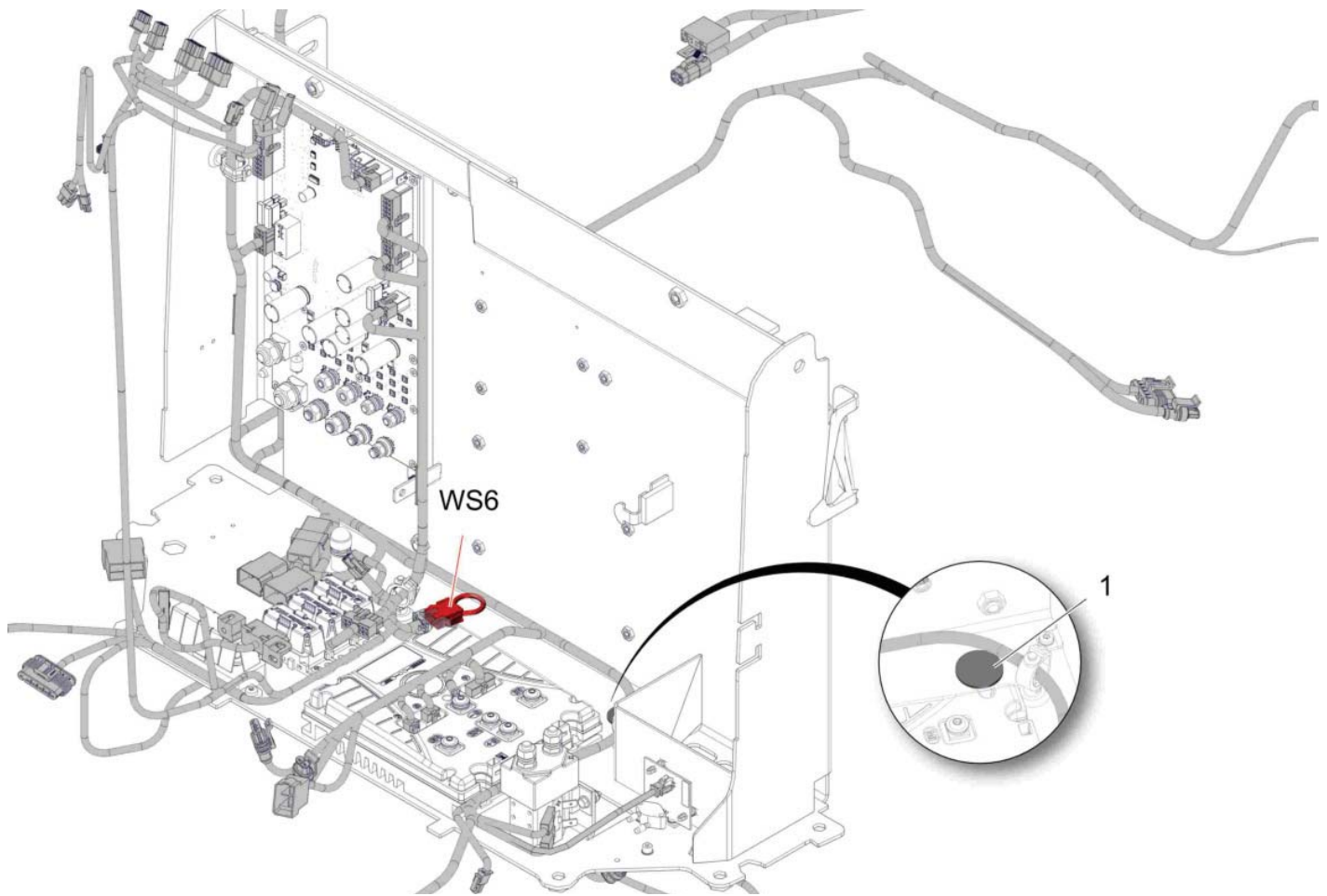
**Electric plate without onboard charger (97159404)**



Item	Part number	Description	Qty.	Unit	Remarks
1	00733650	Fuse holder	3		content of wiring harness W2
2	00131610	Lens cap	2		
3	00552300	Fillister-head screw	2		
4	00053830	Spring washer	2		
5	00053720	Washer	2		
6	01373230	retainer	1		
7	01112160	Screw	4		
8	00053710	Washer	4		
9	01075720	Connector red	1		content of wiring harness W1
F01	01371450	fuse link 7,5A 80V	1		controller
F19	00874950	Fuse	1		horn
K01	01371500	solenoid switch	1		
W1	03021550	wiring harness W1	1		
W2	03020320	wiring harness W2	1		
WS2	03020510	cable loom WS2	1		
WS4	03020400	cable loom WS4	1		

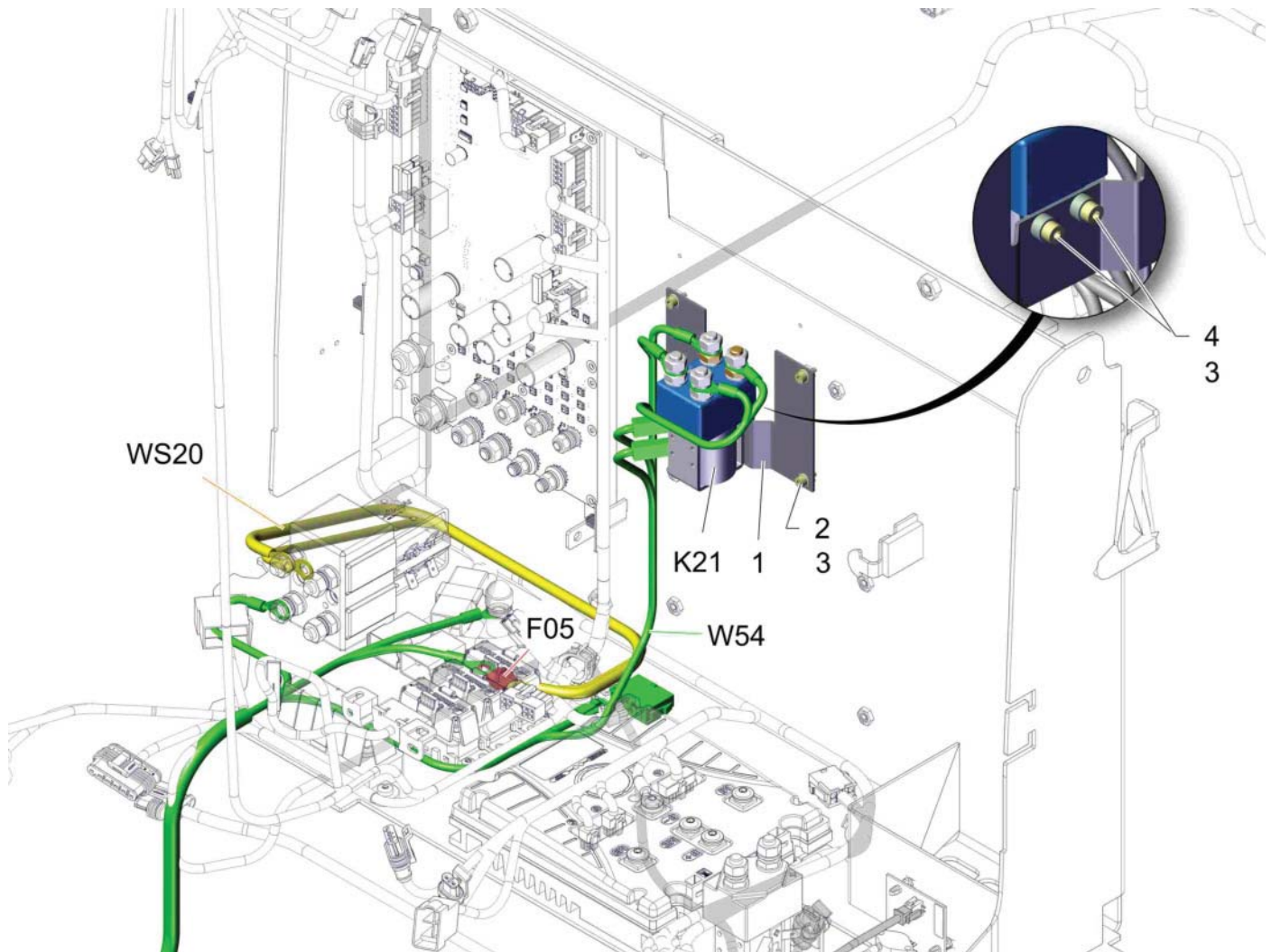


Electric plate without 4-wheel driver (97141873)



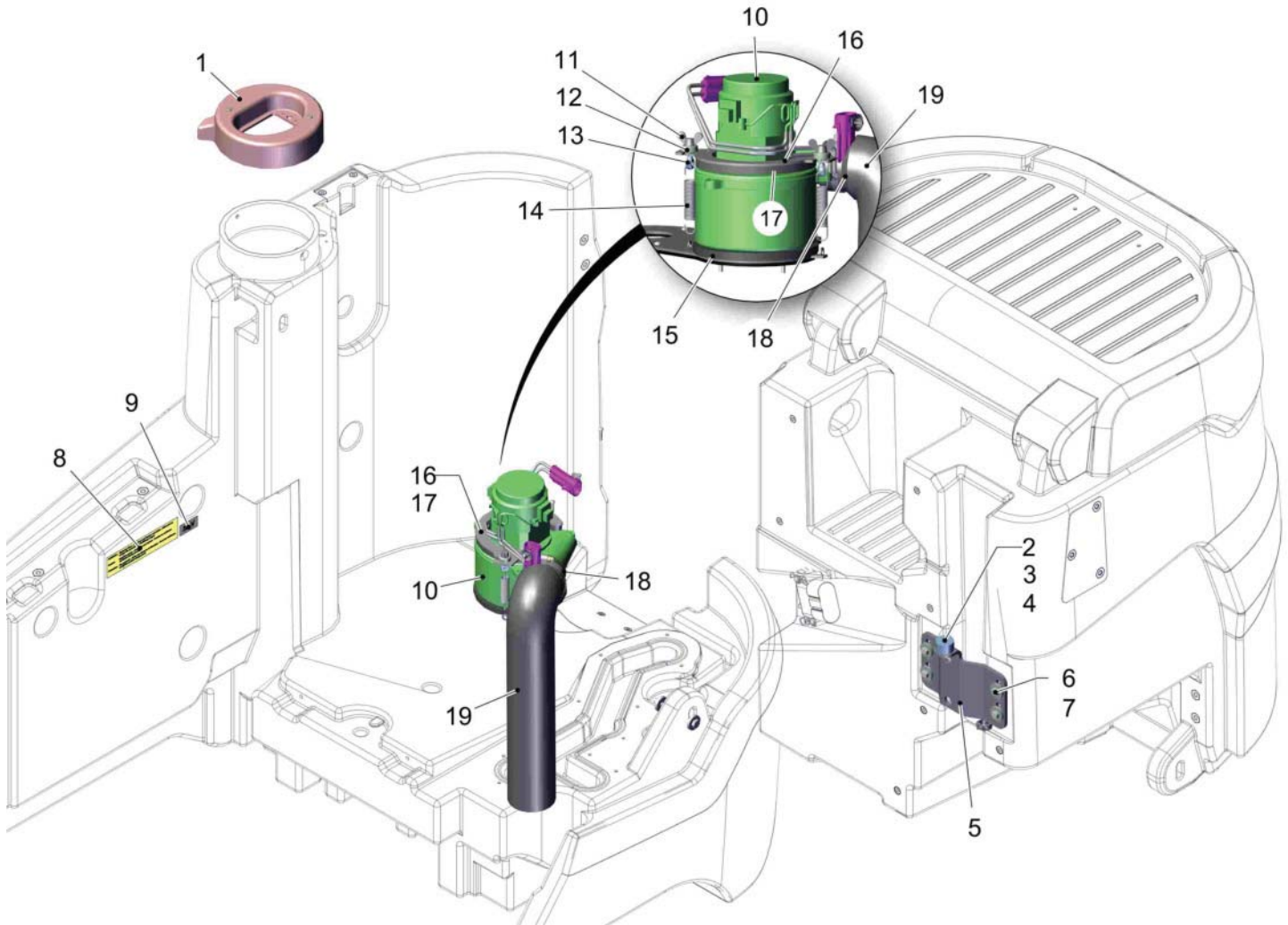
Item	Part number	Description	Qty.	Unit	Remarks
1	00152850	Drain plug	1		
WS6	03020460	cable loom WS6	1		release single wheel drive

Electric plate with option pre-sweep unit (97154363)



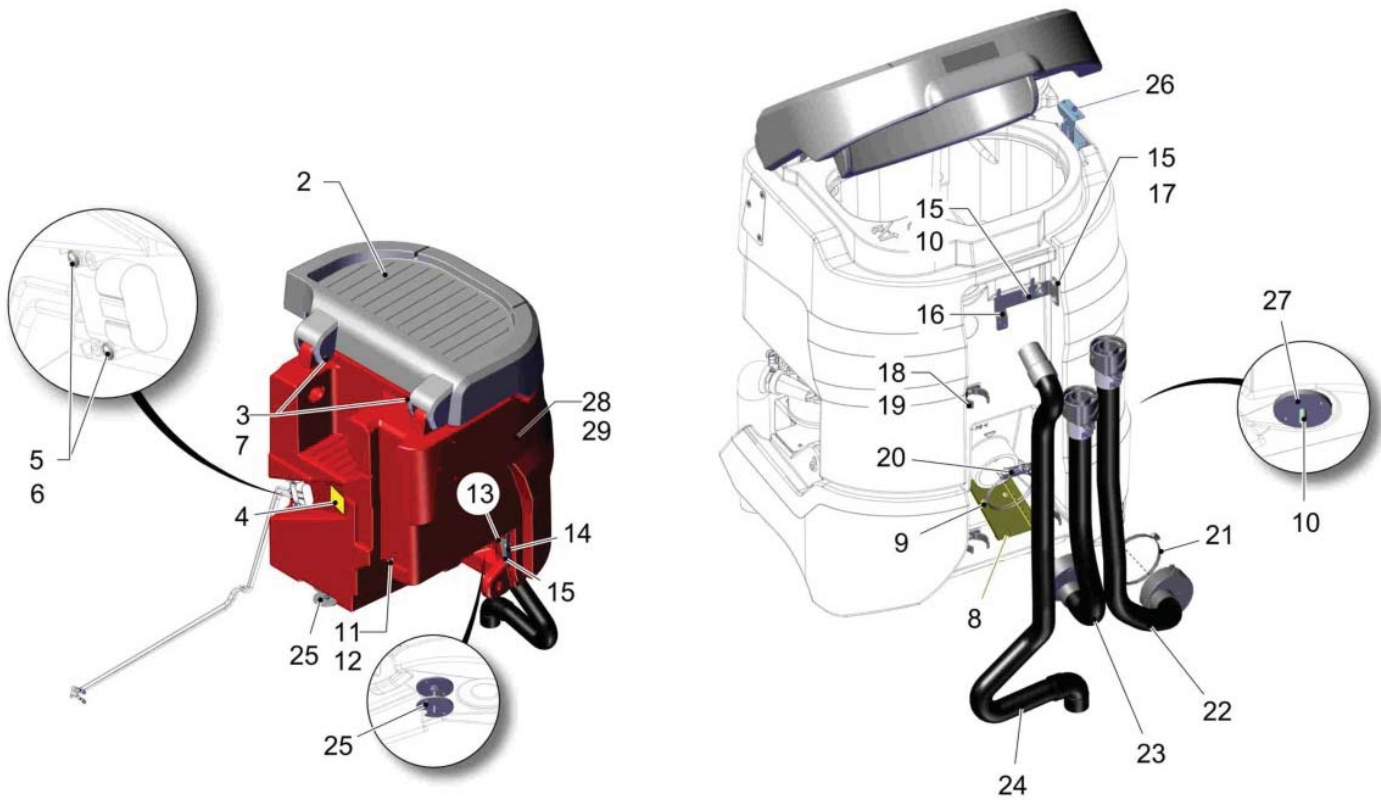
Item	Part number	Description	Qty.	Unit	Remarks
1	01375540	relay carrier	1		
2	---	Spare part on request	4		11126364 socket head screw
3	00053710	Washer	14		
4	00730930	socket head screw	2		
F05	01371170	fuse link	1		front sweeper / side broom
K21	01375590	solenoid switch	1		
W54	03021380	wiring harness W54	1		
WS 20	03021660	cable loom WS20	1		

Tank group (without tanks) (97162747)



Item	Part number	Description	Qty.	Unit	Remarks
1	01372190	cover	1		
2	00733560	Rubber-metal buffer	1		
3	00053080	Hexagon screw	1		
4	00740080	Washer	1		
5	01373070	seat bearing	1		
6	00053090	Hexagon screw	4		
7	00047990	Disk wheel	8		
8	01174740	Decal explosive gazes	1		
9	01371680	decal 36 V	1		
10	01372140	suction turbine	1		
10	01381950	carbon brush	2		
11	00054020	Wing nut	2		
12	00903210	Knurled nut	2		
13	00508770	Eye bolt	2		
14	01380070	tension spring	2		
15	01371800	sealing ring	1		
16	01372880	clamping sheet metal	1		
17	01071550	Seal	1		
18	00732130	Hose clamp	1		
19	00471570	Hose	1		

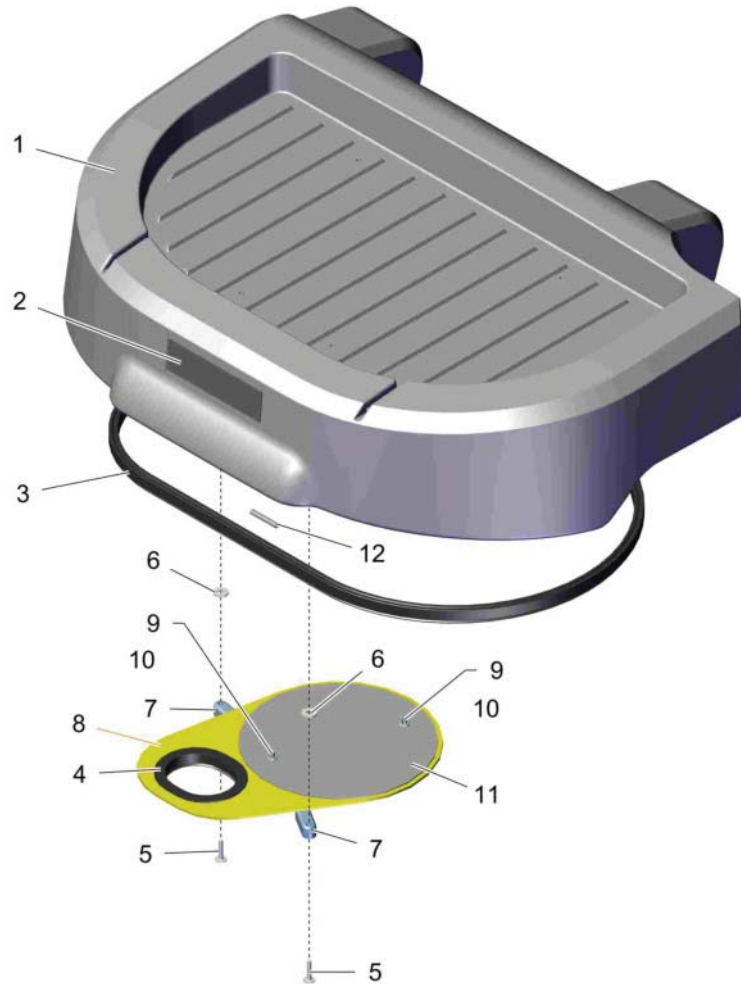
Foul water tank red (97162721-97162739\_PB\_1)



Item	Part number	Description	Qty.	Unit	Remarks
2	97138275-B_27	Cover	1		
3	01372940	cover axle	2		
4	---	Spare part on request	1		17268541 decal
5	01110780	Lens flange screw	2		
6	00053730	Washer	2		
7	01136440	Sealing plug	2		
8	01373450	dirt chute	1		
9	01072520	Lens flange screw	6		
10	01372150	bolt	1		
11	01370250	retainer	1		
12	01370240	mounting feet	1		
13	01373560	cable support	1		
14	01373420	hinge sheet metal	1		
15	01006820	Lens flange screw	6		
16	01373640	connecting angle	1		
17	00042900	Washer	2		
18	01375310	clip	3		
19	01000850	Lens flange screw	3		
20	97146237	Clamping piece	1		
21	01014640	Hose clamp	1		
22	01372360	Solution hose	1		
23	01372410	Recovery hose	1		
24	01371890	suction hose	1		
25	97149587	Height adjustment	1		
26	97159743	Cover's put-up hinge	1		
26	97139414	Cover's put-up hinge	1		
27	01372920	plate	4		
28	01377880	foul water tank red (B175) (01377880)	1		
29	01377970	foul water tank red antibacterial (B175) (01377970)	1		



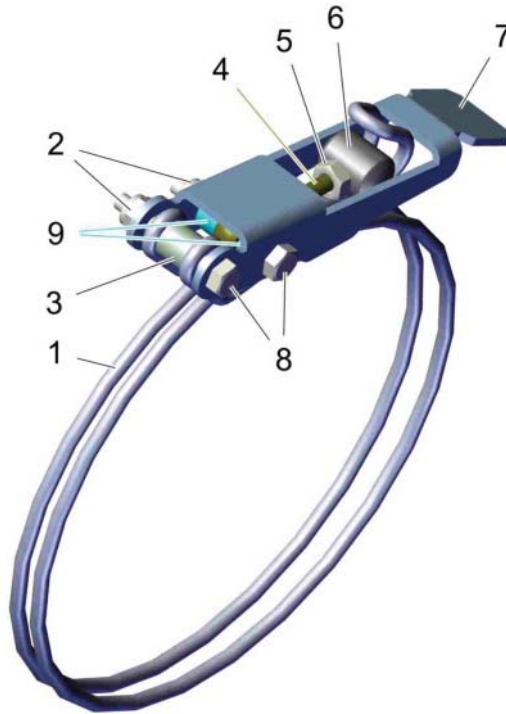
**Cover (97138275-B\_27)**



Item	Part number	Description	Qty.	Unit	Remarks
1	03019490	cover	1		
2	03021580	decal POWERBOSS	1		
3	01071770	Sealing profile	1,780		
4	00681570	Edge protection	0,310		
5	01082530	Lens flange screw	2		
6	00854210	Washer	2		
7	00968190	Toggle	2		
8	01376490	filter carrier	1		
9	01076740	Rivet	2		
10	00102150	Washer	2		
11	01375490	strainer	1		
12	01090200	Hose	0,040		

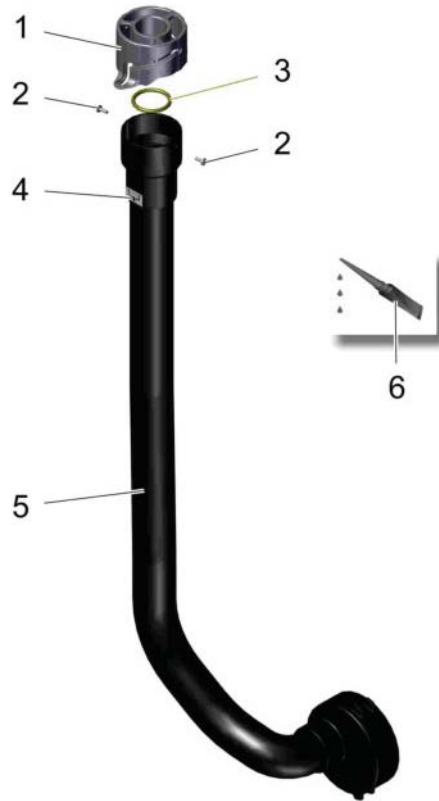


Clamping piece (97146237)



Item	Part number	Description	Qty.	Unit	Remarks
1	01371580	clamping piece	1		
2	01017660	Hex. Nut	2		
3	01372440	bushing	1		
4	01077500	Eye bolt	1		
5	00902250	Hex. Nut	1		
6	01372380	threaded pin	1		
7	01372430	clamping piece lever	1		
8	01079890	Hexagon screw	2		
9	01372390	bushing	2		

**Solution hose (01372360)**



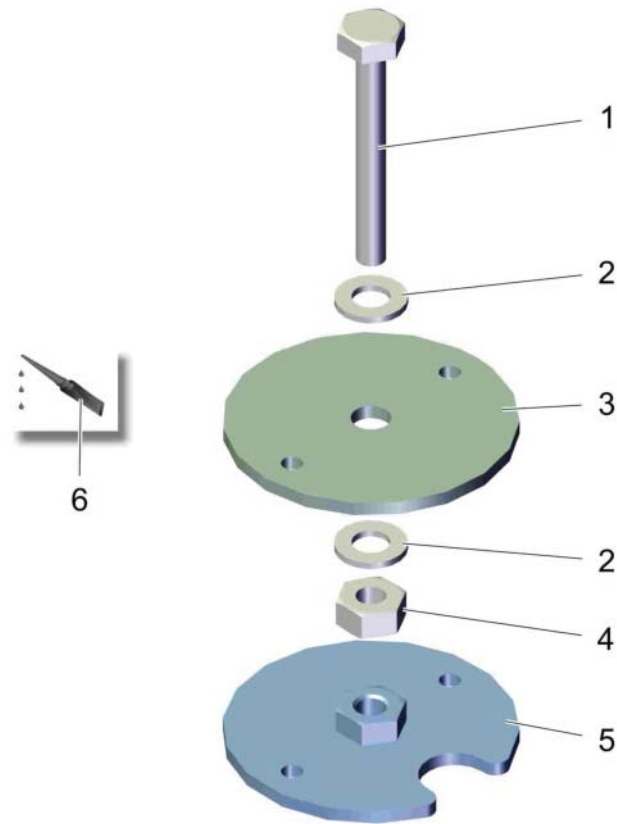
Item	Part number	Description	Qty.	Unit	Remarks
1	00142230	Cover	1		
2	00108650	Fillister-head screw	2		
3	01177960	O-Ring	1		
4	01170150	Decal SOLUTION TANK	1		
5	-	Not supplied alone!			If needed order hose compl. 01372360, please!
6	03009260	Loctite sealing compound	1		

Recovery hose (01372410)



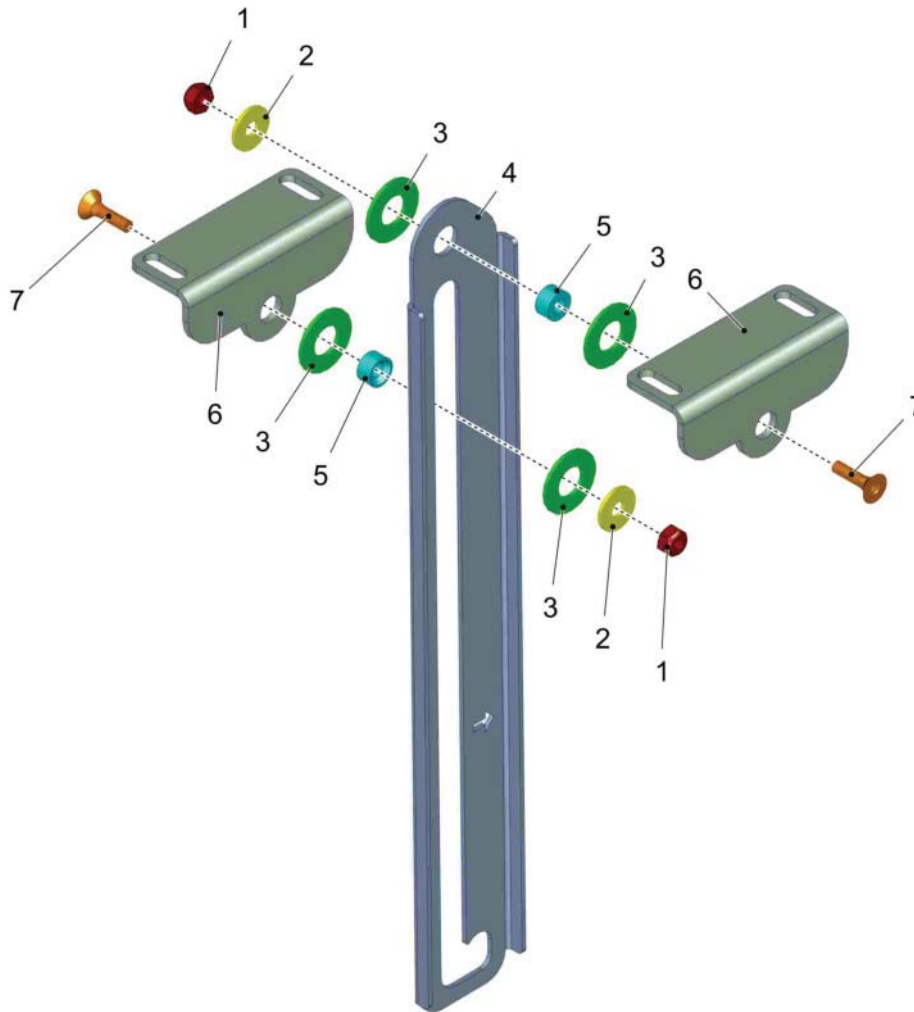
Item	Part number	Description	Qty.	Unit	Remarks
1	00142230	Cover	1		
2	00108650	Phillister-head screw	2		
3	01177960	O-Ring	1		
4	01170060	Decal FOUL WATER	1		
5	-	Not supplied alone!			If needed order hose compl. 01372410, please!

Height adjustment (97149587)



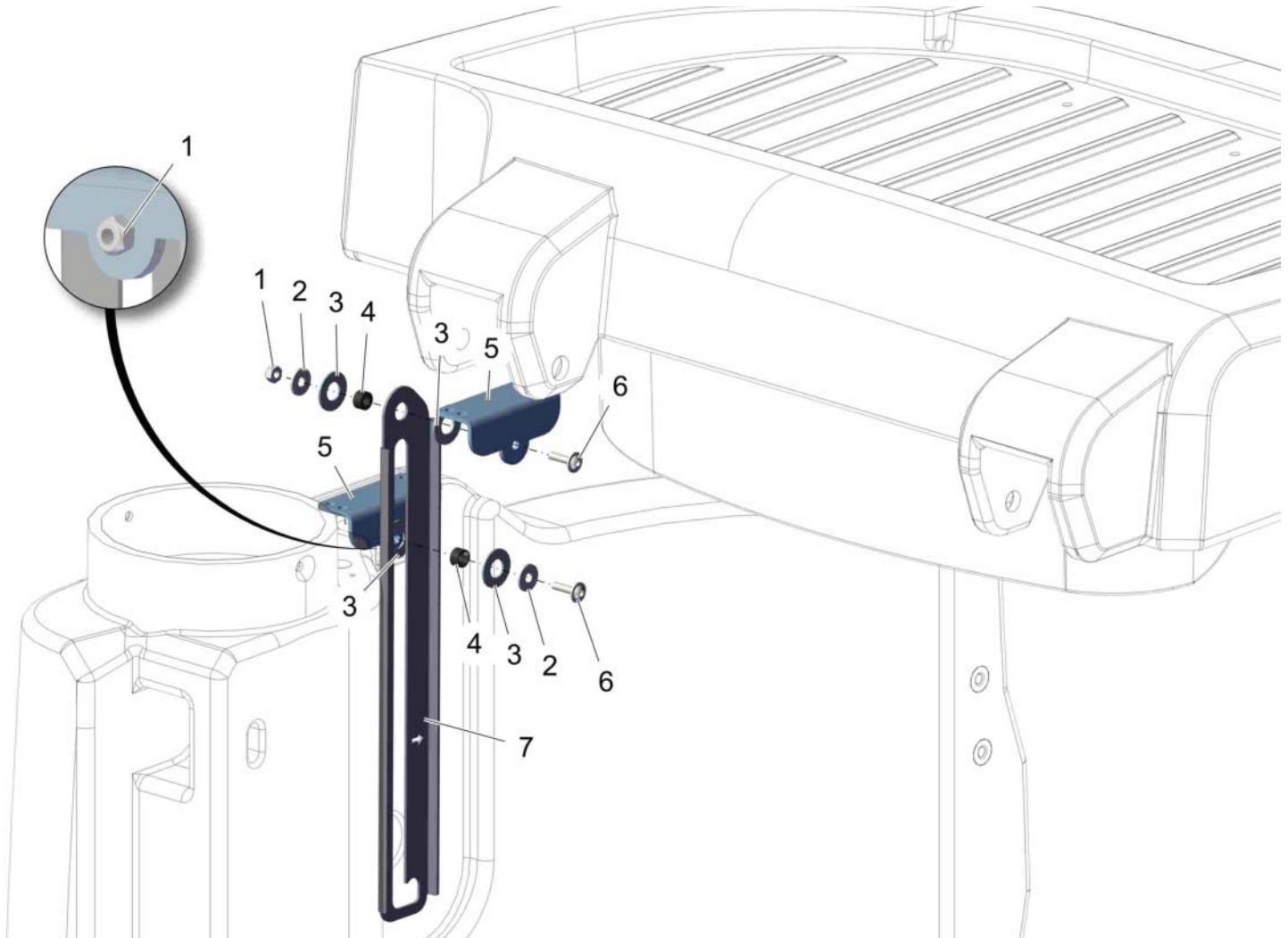
Item	Part number	Description	Qty.	Unit	Remarks
1	00102270	Hex.bolt	2		
2	00053760	Washer	4		
3	01372920	plate	2		
4	00053360	Hex. Nut	2		
5	---	Spare part on request	2		96154695 plate
6	03009260	Loctite sealing compound	1		

Cover's put-up hinge (97159743)



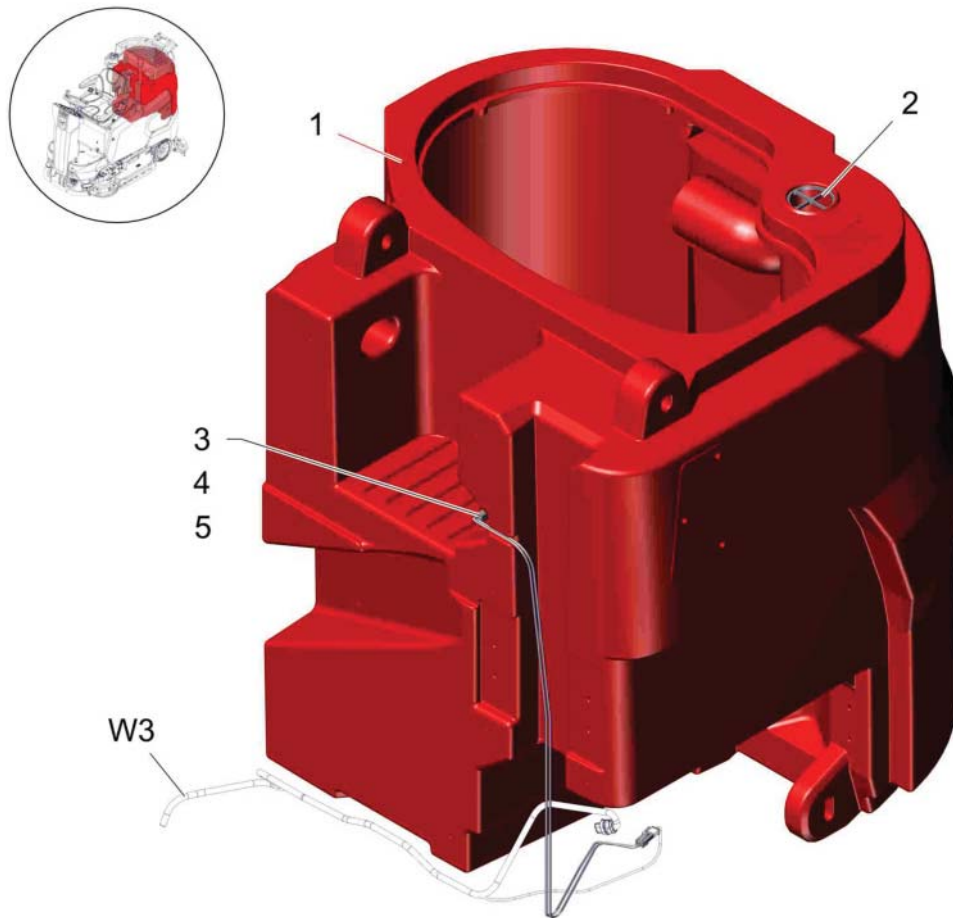
Item	Part number	Description	Qty.	Unit	Remarks
1	00102140	Hex. Nut	2		
2	00854210	Washer	2		
3	01102770	Approach disk	4		
4	01372950	cover put-up hinge	1		
5	01279800	bushing	2		
6	---	Spare part on request	2		92061068 put-up hinge bearing
7	00054720	Countersunk screw	2		

Cover's put-up hinge (97139414)



<b>Item</b>	<b>Part number</b>	<b>Description</b>	<b>Qty.</b>	<b>Unit</b>	<b>Remarks</b>
1	00102140	Hex. Nut	2		
2	00854210	Washer	2		
3	01102770	Approach disk	4		
4	01279800	bushing	2		
5	01372960	put-up hinge bearing	2		
6	01174700	Lens flange screw	2		
7	01372950	cover put-up hinge	1		

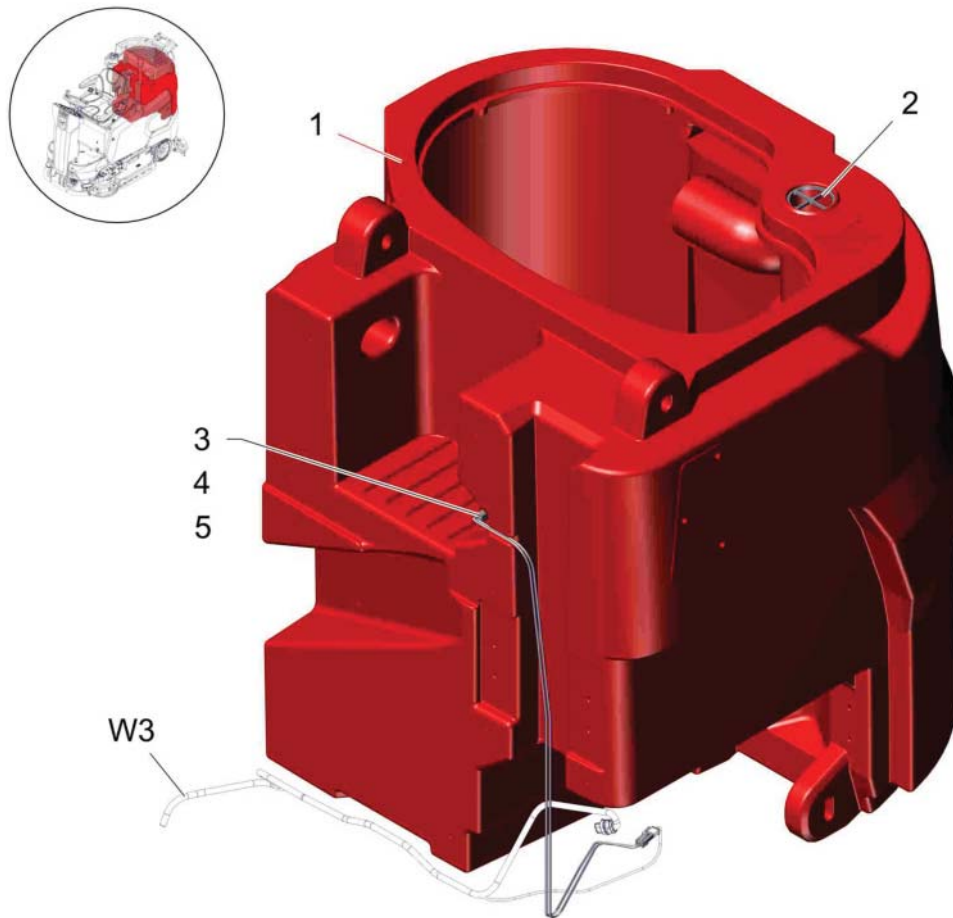
**Foul water tank red B175 (01377880)**



Item	Part number	Description	Qty.	Unit	Remarks
1	-	Not supplied alone!			If needed order the complete foul water tank 01377880, please!
2	01373290	intake protective disk	1		
3	00959650	Float switch	1		
4	01372420	pin housing (2 pin)	1		
5	01372370	tab-cont. Mini-Fit Jr. (0,25-1,00)	2		

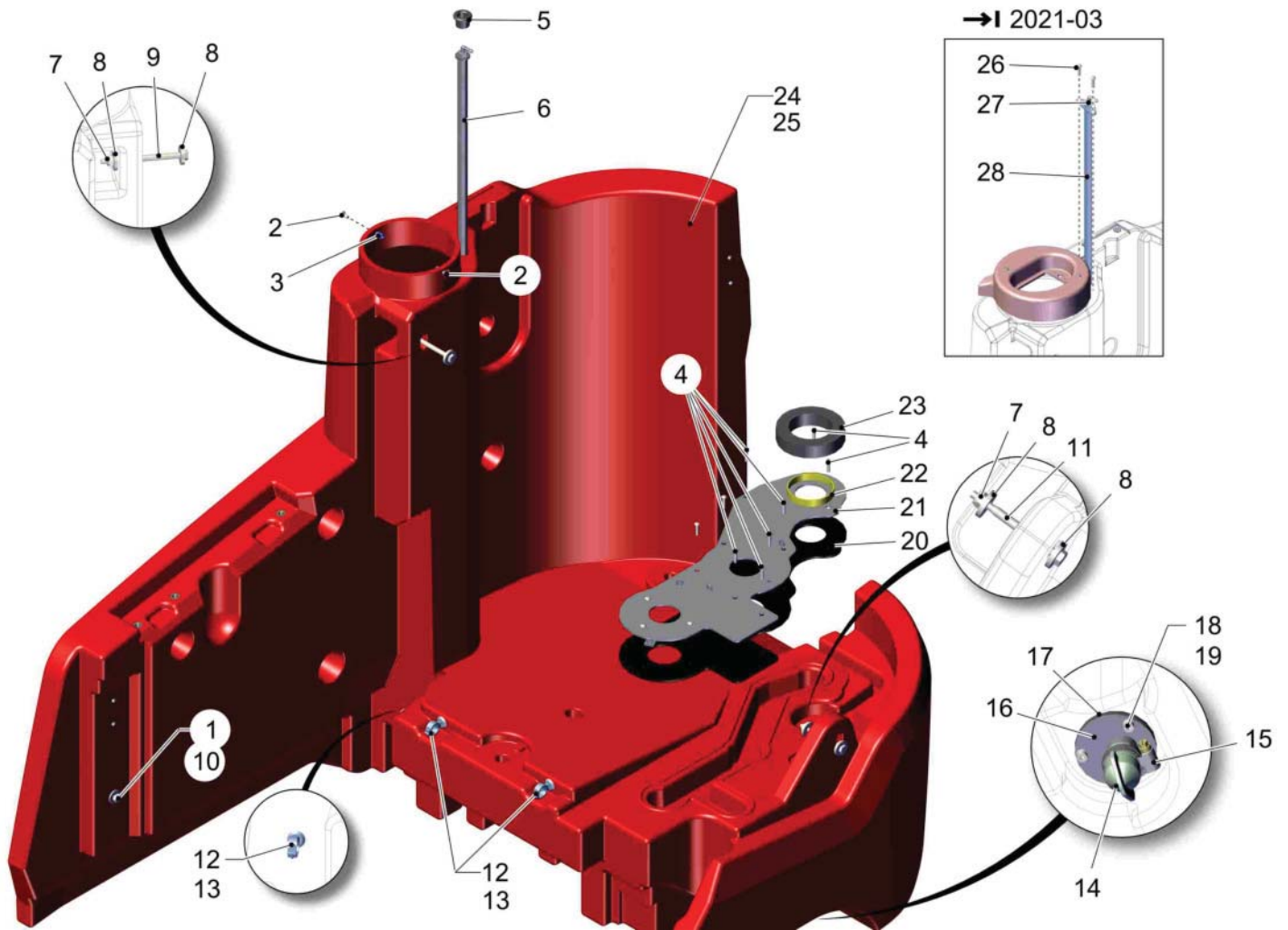


Foul water tank red antibacterial B175 (01377970)



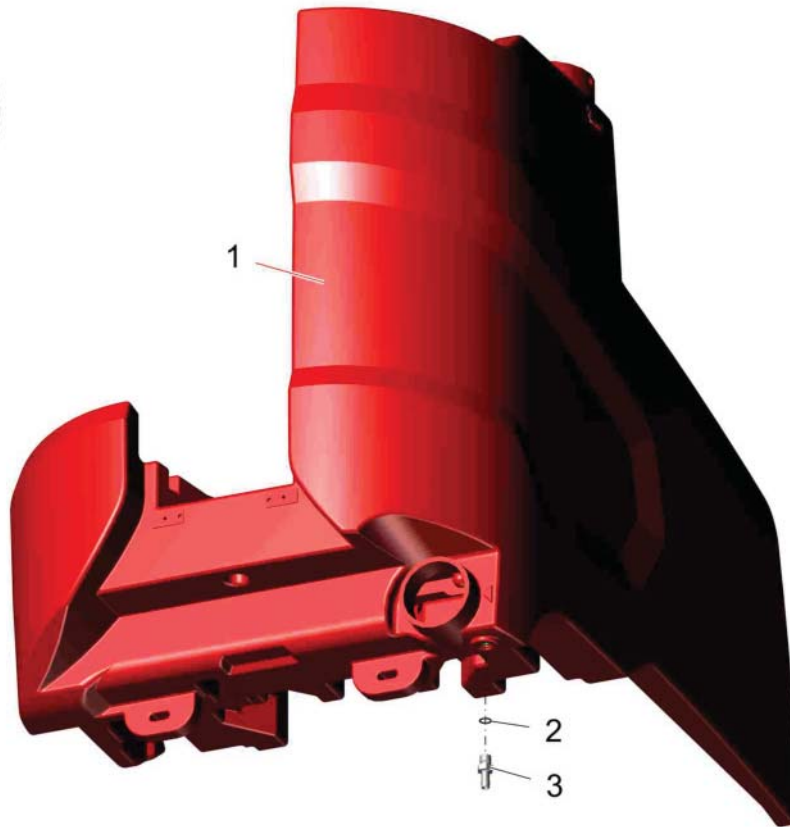
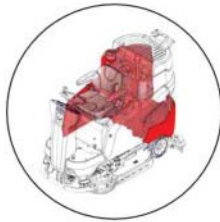
Item	Part number	Description	Qty.	Unit	Remarks
1	-	Not supplied alone!			If needed order the complete foul water tank 01377970, please!
2	01373290	intake protective disk	1		
3	00959650	Float switch	1		
4	01372420	pin housing (2 pin)	1		
5	01372370	tab-cont. Mini-Fit Jr. (0,25-1,00)	2		

Fresh water tank red (97162721-97162739\_2)



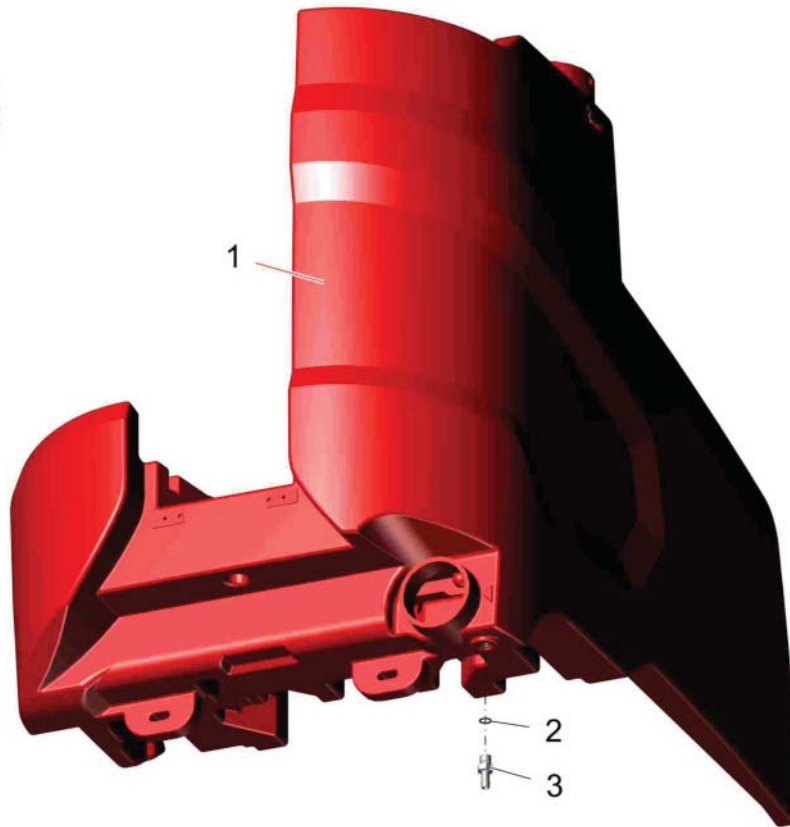
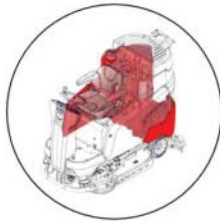
Item	Part number	Description	Qty.	Unit	Remarks
1	00553690	Hex.bolt	1		
2	00028470	Countersunk screw	2		
3	01372790	bolt	2		
4	01078160	Screw	14		
5	---	Spare part on request	1		92056159 cable sleeve
6	---	Spare part on request	1		96164934 probe
7	00051510	Hex. Nut	2		
8	00047990	Disk wheel	2		
9	00053150	Hex.bolt	1		
10	00042900	Washer	1		
11	00053140	Hex.bolt	1		
12	01370250	retainer	3		
13	01370240	mounting feet	3		
14	00054560	Valve	1		
15	00733160	Hose clamp	1		
16	01373830	flowing off	1		
17	01371920	gasket	1		
18	01178830	Socket head screw	3		
19	00902270	Washer	3		
20	01371850	gasket	1		
21	01373790	cover plate	1		
22	01371770	tubular support	1		
23	01371740	gasket	1		
24	01374890	fresh water tank red (01374890)	1		
25	01374930	fresh water tank red Antibacterial (01374930)	1		
26	01078160	Screw	2		til appr. 2021-03
27	01372670	screwed socket	1		til appr. 2021-03
28	---	Spare part on request	1		96163829 pipe; til appr. 2021-03

**Fresh water tank red (01374890)**



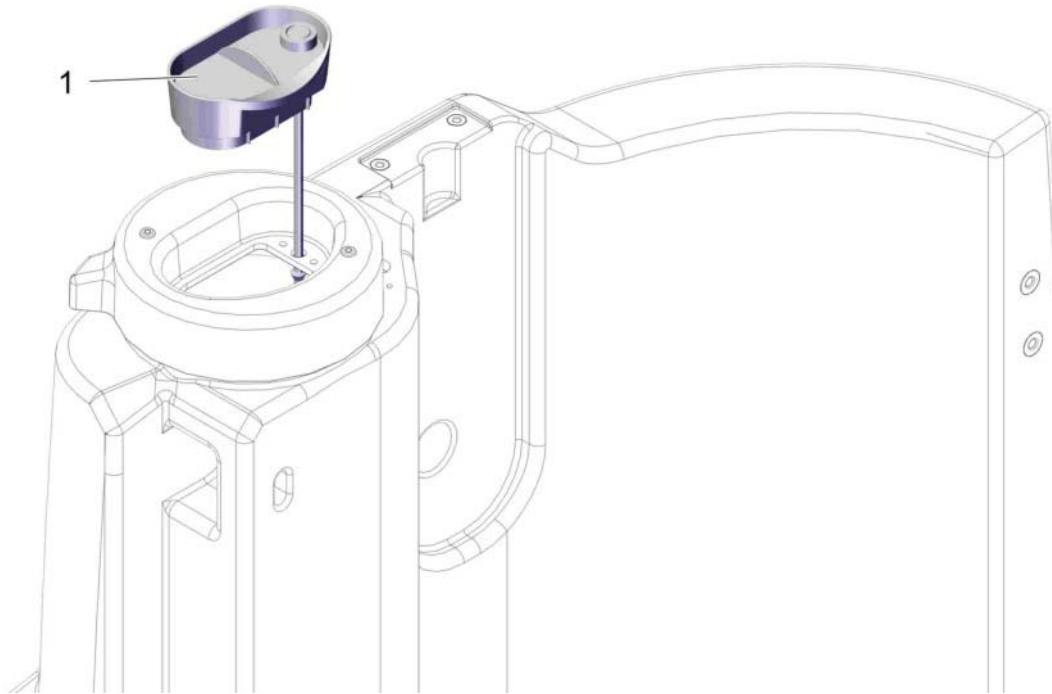
Item	Part number	Description	Qty.	Unit	Remarks
1	-	Not supplied alone!			If needed order the complete fresh water tank 01374890, please!
2	00057720	O-ring oil resistant	1		
3	01072180	Screwed plug	1		

Fresh water tank red antibacterial (01374930)



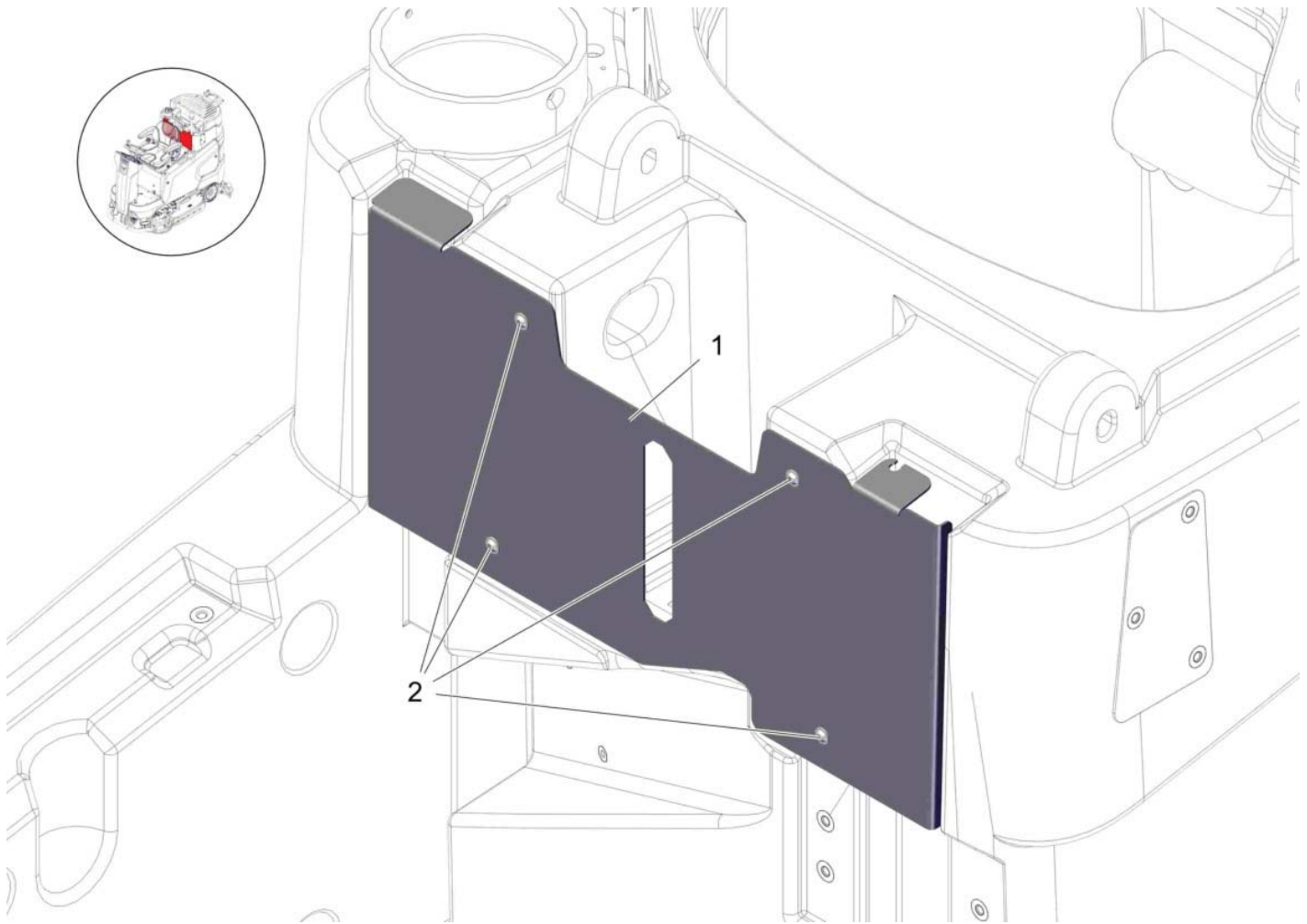
Item	Part number	Description	Qty.	Unit	Remarks
1	-	Not supplied alone!			If needed order the complete fresh water tank 01374930, please!
2	00057720	O-ring oil resistant	1		
3	01072180	Screwed plug	1		

**Fresh water cap (variant without automatic filling unit) (97143937)**



Item	Part number	Description	Qty.	Unit	Remarks
1	01173540	Fresh water cap	1		

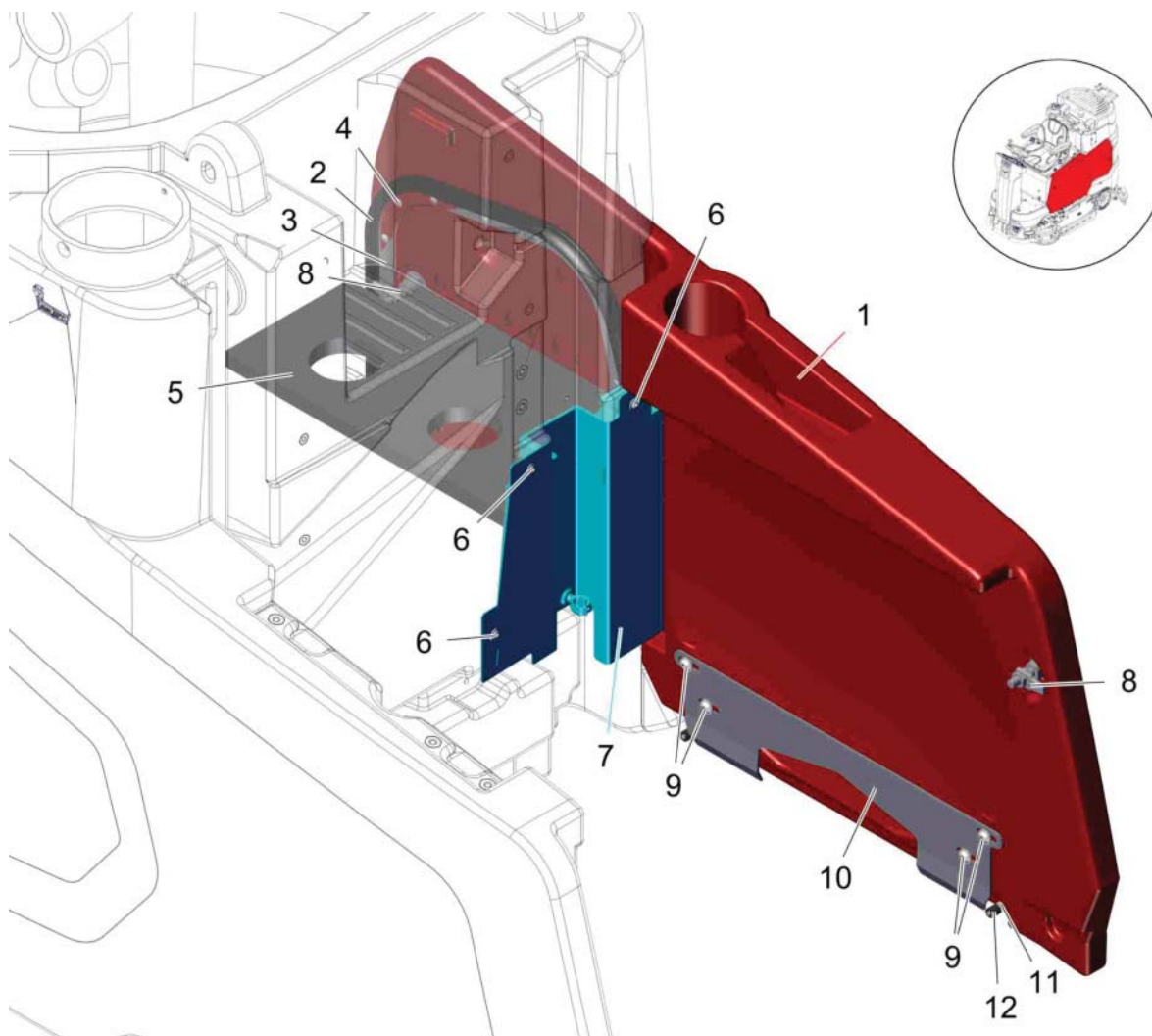
**Cover (variant without driver canopy) (97140727)**



Item	Part number	Description	Qty.	Unit	Remarks
1	01373010	cover	1		
2	01072520	Lens flange screw	4		

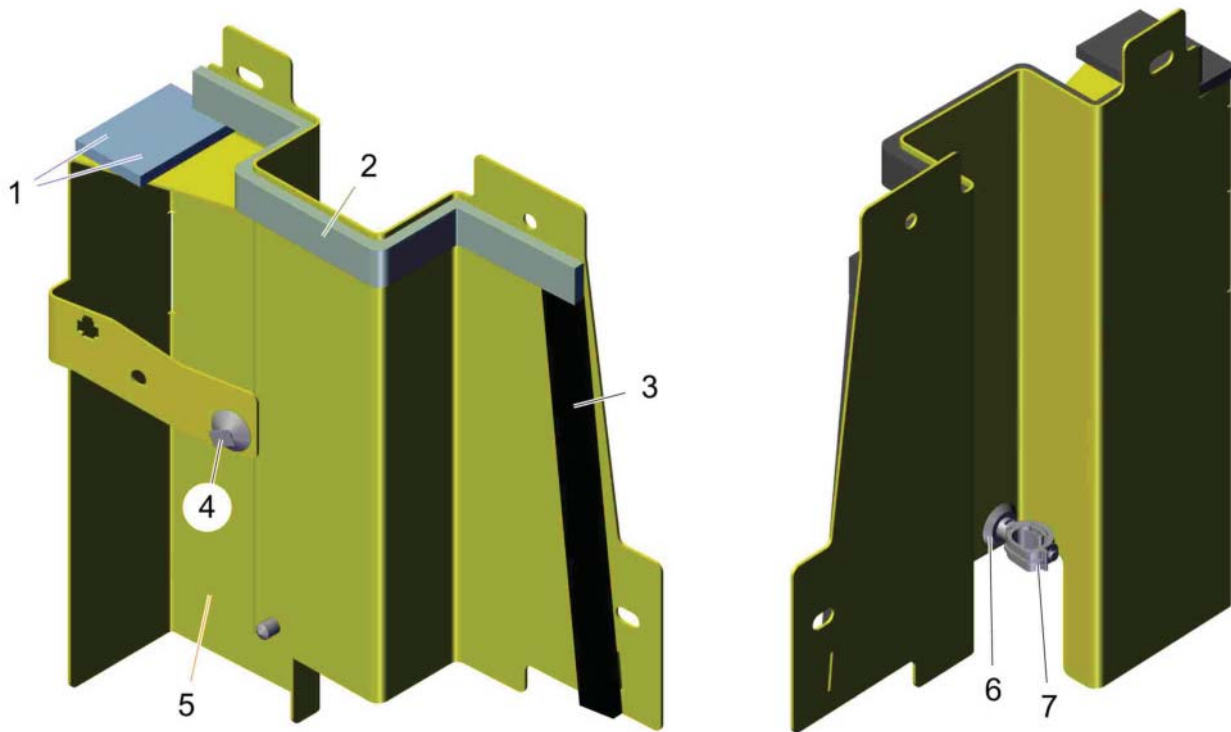


## Side covering L.H. - separating panel (97140560)



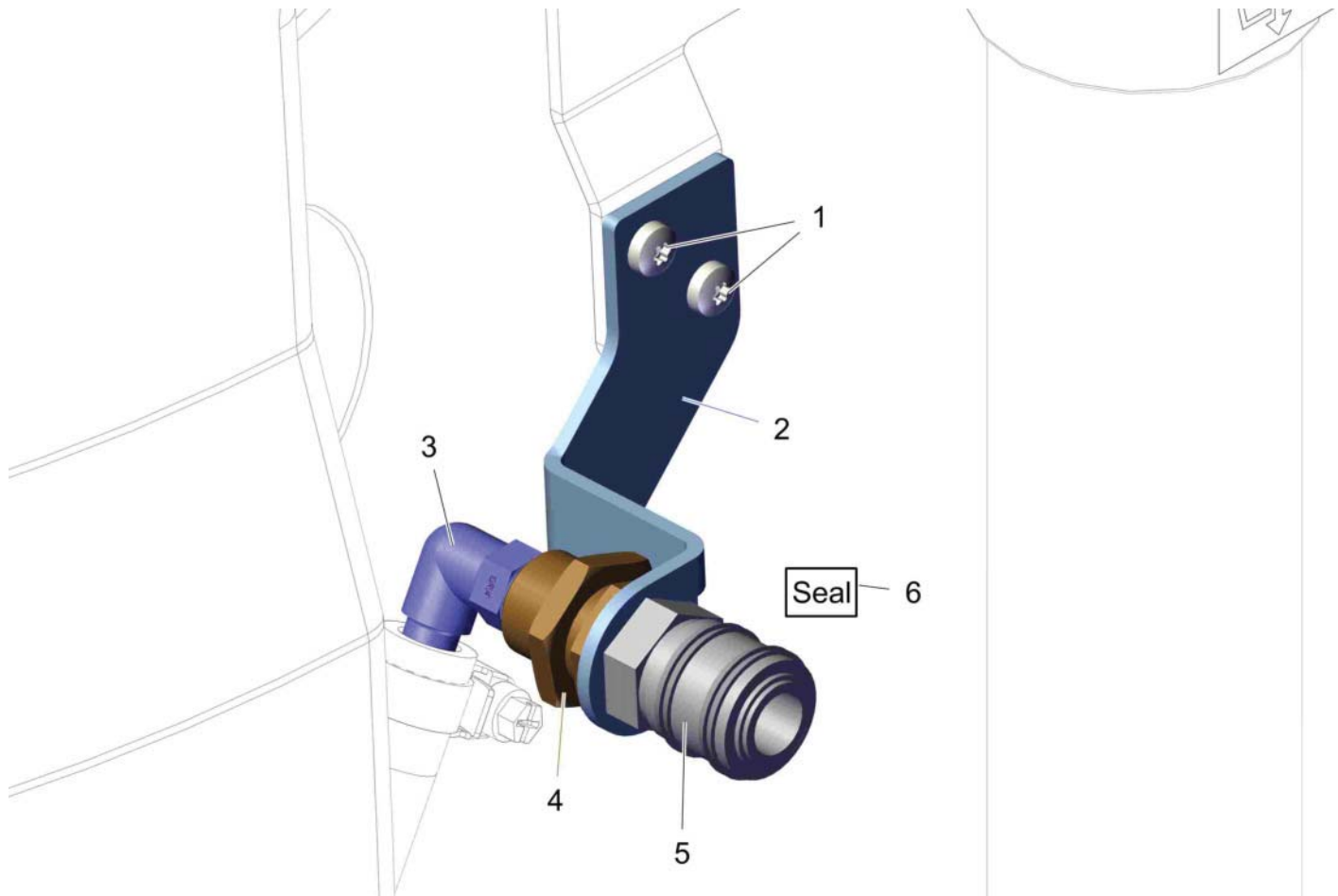
Item	Part number	Description	Qty.	Unit	Remarks
1	03019520	side covering	1		
2	---	Spare part on request	0,980		25583279 sealing profile
3	01373470	holding plate	1		
4	00905520	Round head screw	11		
5	01371380	sealing plate	1		
6	01072520	Lens flange screw	3		
7	97145783	Separating plate	1		
8	00975120	Bolt lock	2		
9	01133350	Lens flange screw	4		
10	01373340	clamping plate	1		
11	00539730	Screw	2		
12	00905570	Bushing	2		

Separating plate (97145783)



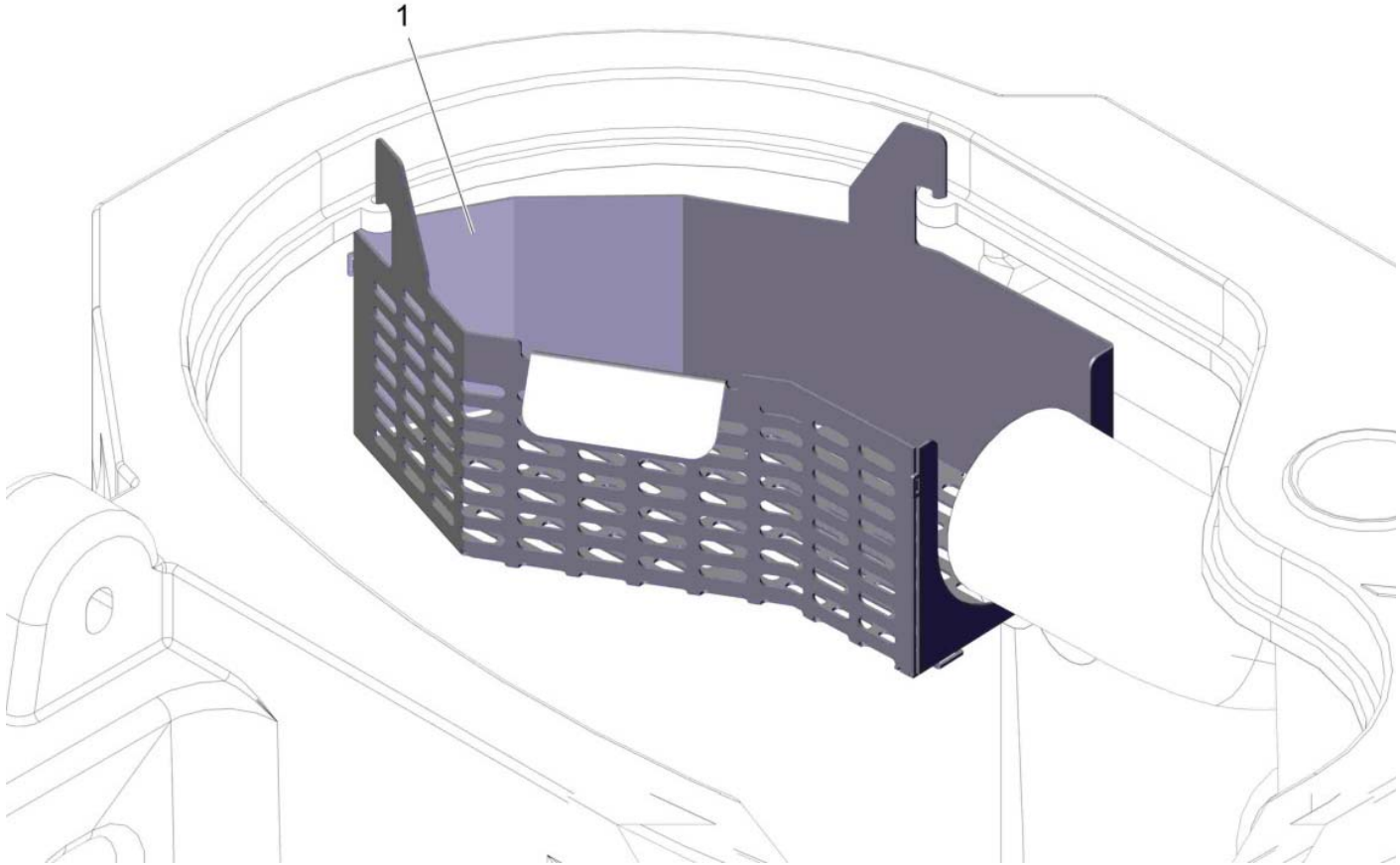
Item	Part number	Description	Qty.	Unit	Remarks
1	01031000	Sealing tape	0,120		
2	01031000	Sealing tape	0,320		
3	01031000	Sealing tape	0,220		
4	01278080	Mounting clip	1		
5	01372800	separating plate	1		
6	01370240	mounting feet	1		
7	01370250	retainer	1		

**Preliminary parts for spraying tools at tank (97150296)**



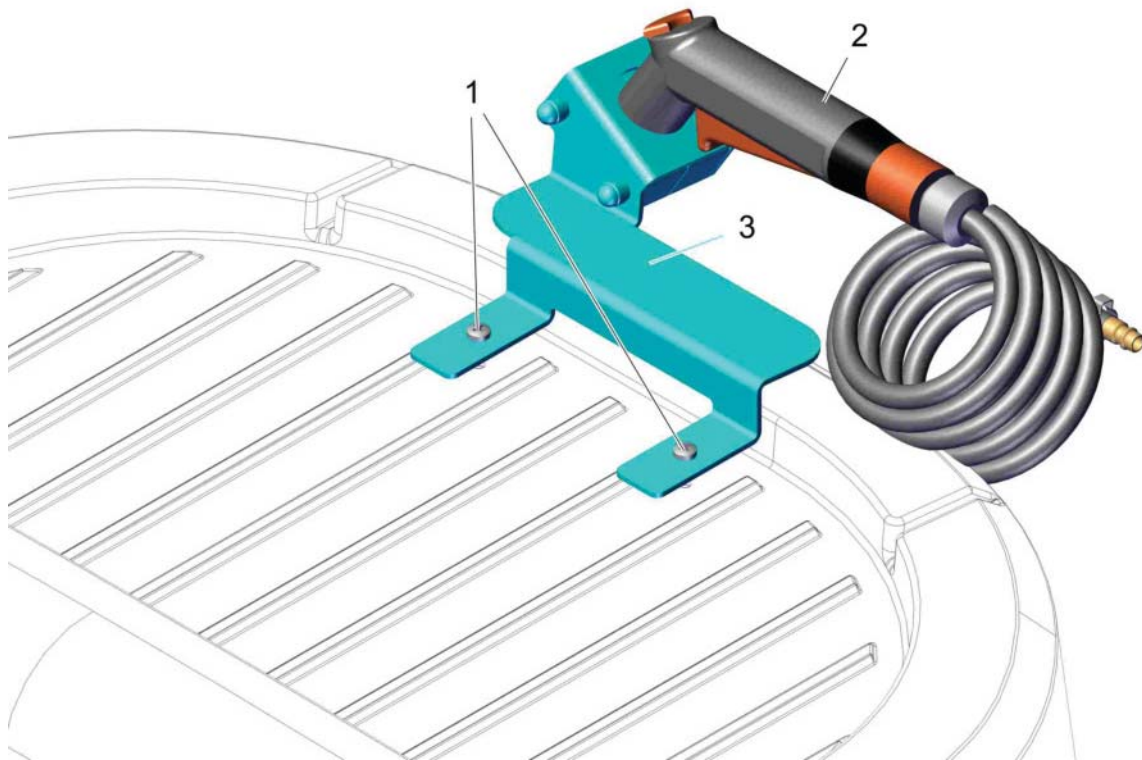
Item	Part number	Description	Qty.	Unit	Remarks
1	00959220	Screw	2		
2	01373100	connecting angle	1		
3	01090430	Screwed angle fitting	1		
4	01016090	Bulkhead union	1		
5	00552590	Quick hitch	1		
6	03007630	Sealing band (spool with 12m)	0,070		

**Rough mud strainer (97143929)**



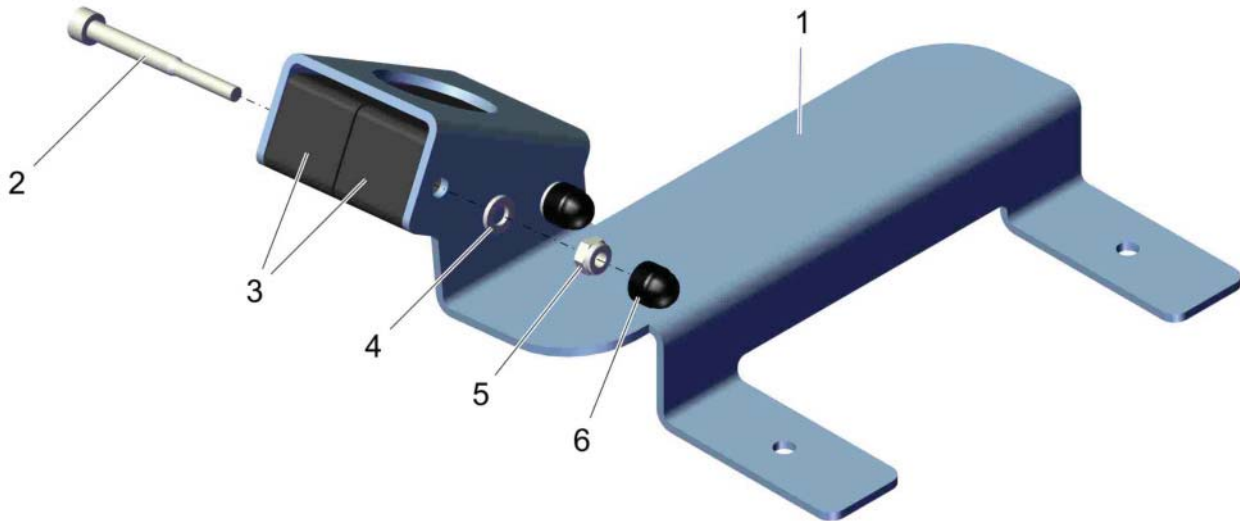
Item	Part number	Description	Qty.	Unit	Remarks
1	---	Spare part on request	1		96162896 rough mud strainer

**Spraying nozzle (97142384)**



Item	Part number	Description	Qty.	Unit	Remarks
1	00873910	Truss head screw	2		
2	01372240	spray pistol with hose	1		
3	97147334	Retainer spraying nozzle	1		

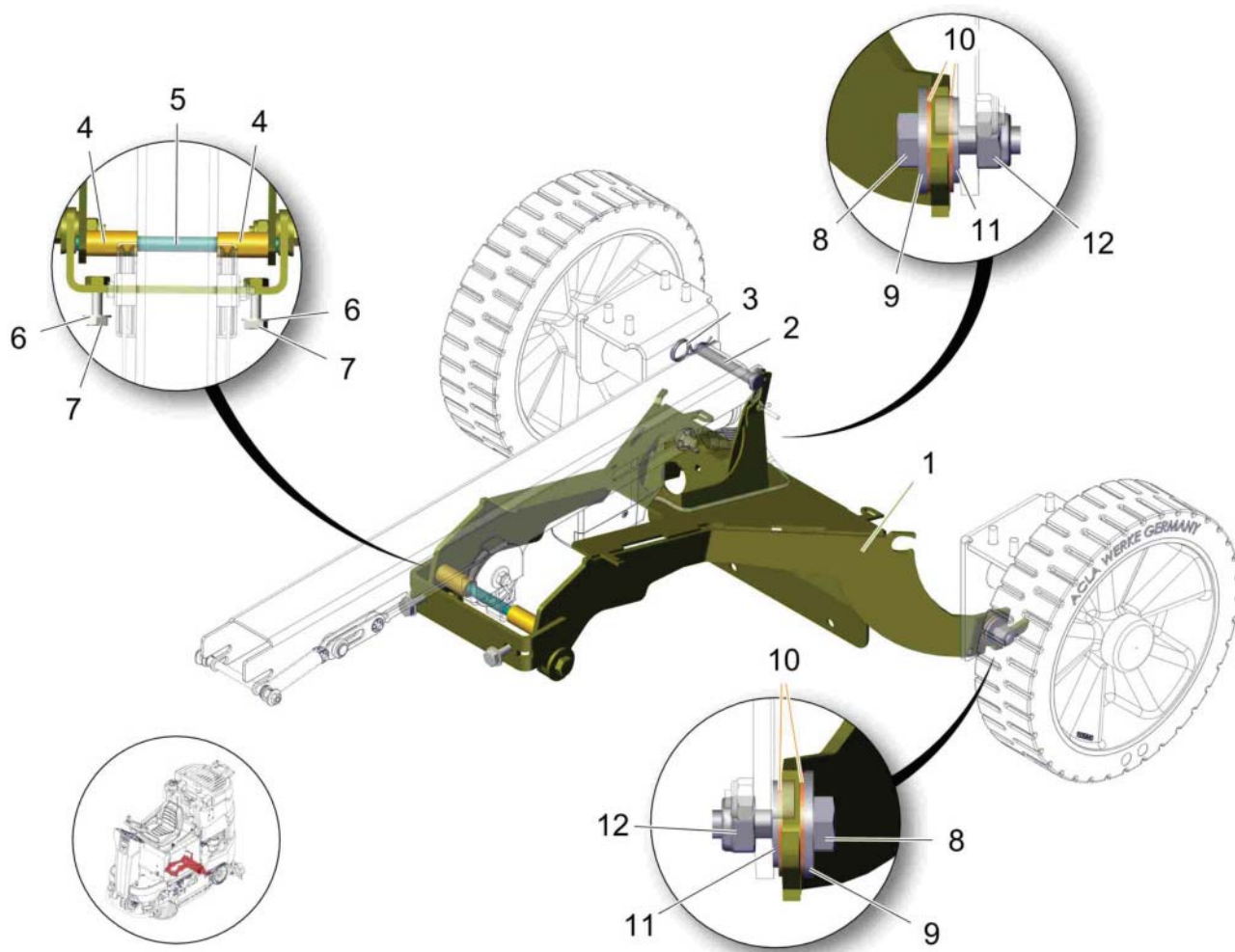
Retainer spraying nozzle (97147334)



Item	Part number	Description	Qty.	Unit	Remarks
1	01373710	retainer	1		
2	01271540	Socket head screw	2		
3	01477410	pair of clamping	1		
4	00053730	Washer	2		
5	00051520	Hex. Nut	2		
6	00525910	Lens cap	2		



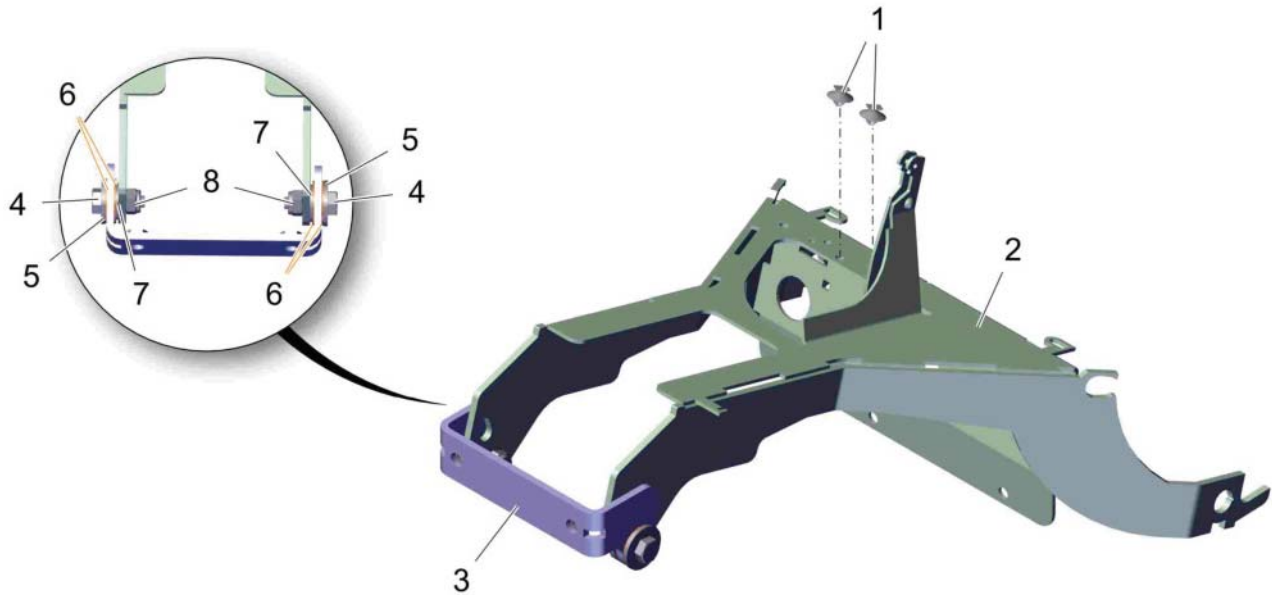
**Lifting brush aggregates (97141675)**



Item	Part number	Description	Qty.	Unit	Remarks
1	97135271	Rocker	1		
2	00879630	Bolt	1		
3	00744820	Cotter pin	1		
4	00200170	PVC hose	0,080		
5	01372890	bolt	1		
6	00740290	Detent edged washer	2		
7	00053310	Hexagon screw	2		
8	00155830	Hexagon screw	2		
9	00132610	Washer	2		
10	01133780	Starting disk	4		
11	01373550	bushing	2		
12	00051490	Hex. Nut	2		

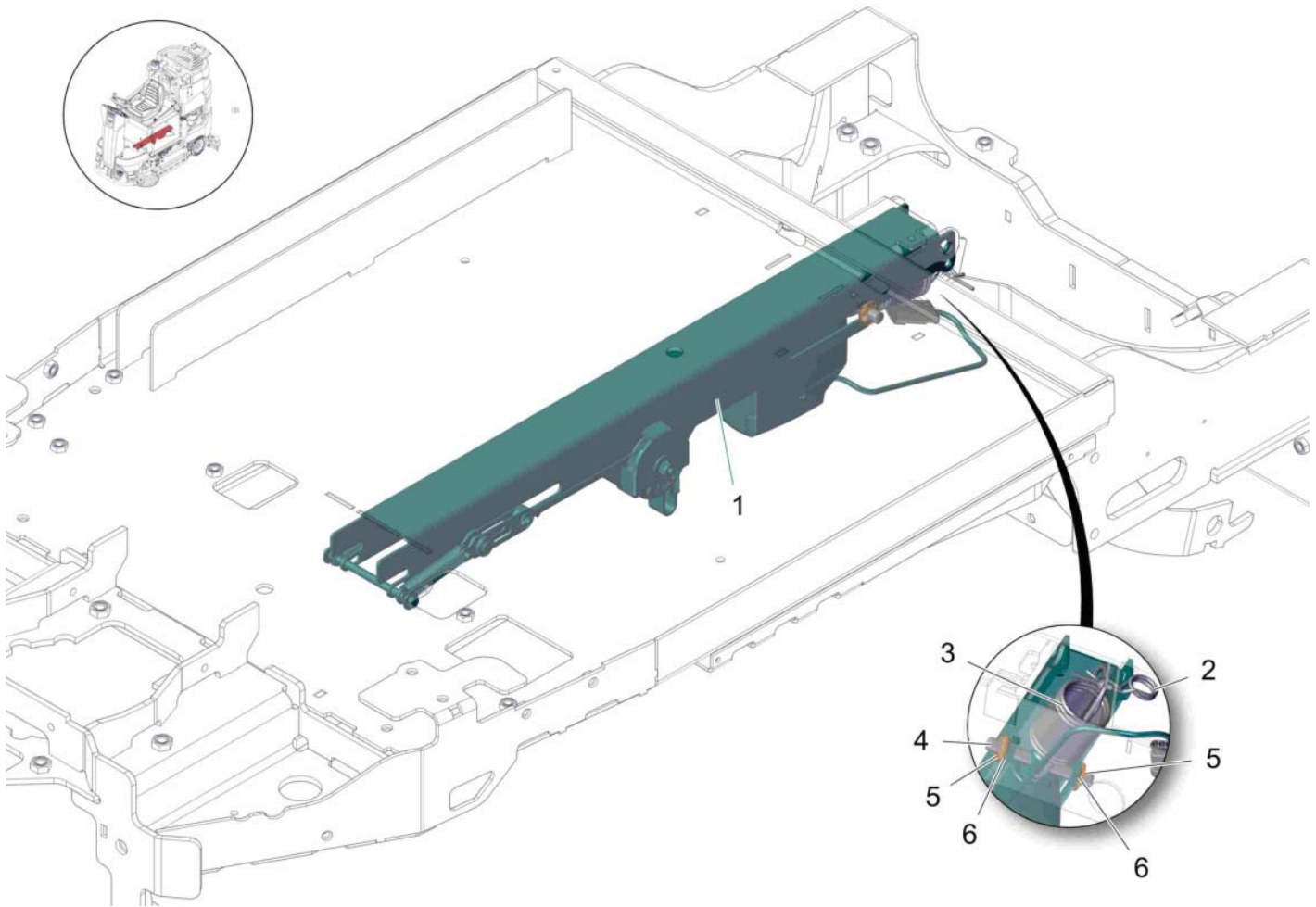


Rocker (97135271)



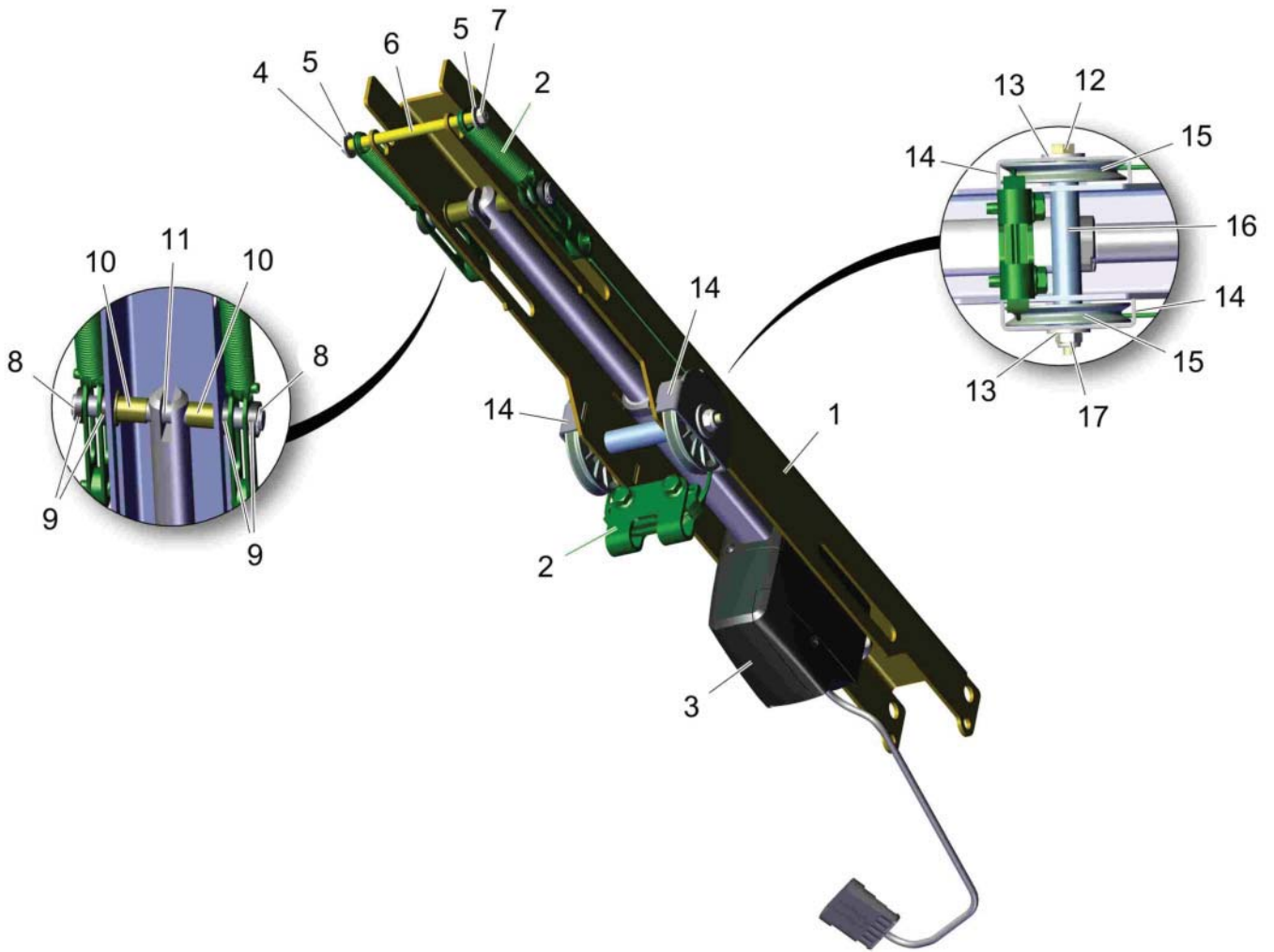
Item	Part number	Description	Qty.	Unit	Remarks
1	01278080	Mounting clip	2		
2	01373920	rocker	1		
3	01373840	brush head guide	1		
4	00155830	Hexagon screw	2		
5	00132610	Washer	2		
6	01133780	Starting disk	4		
7	01373550	bushing	2		
8	00051490	Hex. Nut	2		

Lifting disk brush head (97144919)



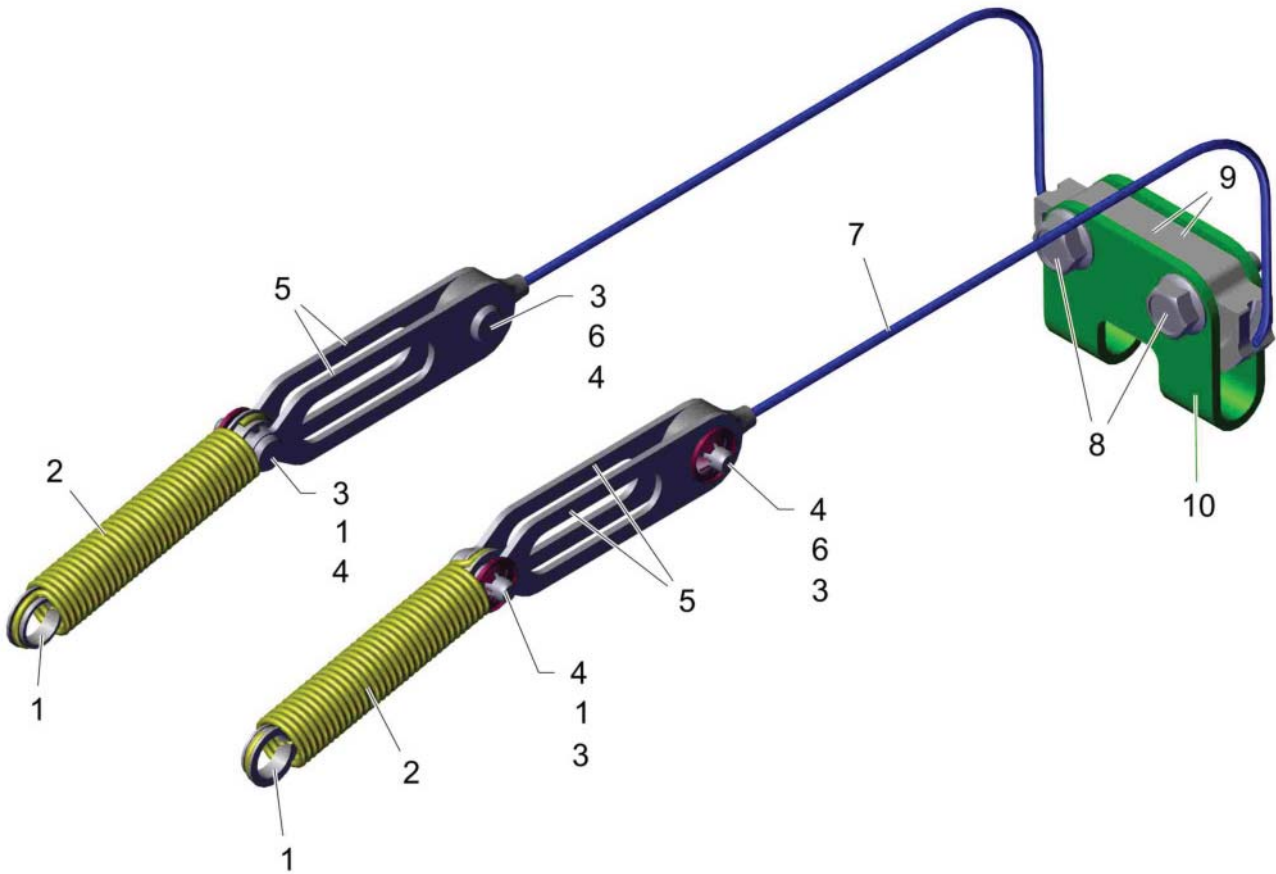
Item	Part number	Description	Qty.	Unit	Remarks
1	97138721	Lifting	1		
2	00861550	Cotter pin	1		
3	01371610	tension spring	1		
4	01279660	straight pin	1		
5	00706180	Thrust washer	2		
6	01370680	bushing	2		

**Lifting (97138721)**



Item	Part number	Description	Qty.	Unit	Remarks
1	01372930	recruitment guide	1		
2	97140479	Rope assembly	1		
3	01370110	lifting element	1		
4	01370970	hexagon screw	1		
5	00135120	Washer	2		
6	01015400	Pipe	0,100		
7	00053330	Hex. Nut	1		
8	00072440	Circlip	2		
9	01370680	bushing	4		
10	01072930	Slide bearing bush	2		
11	01371000	bolt	1		
12	00053150	Hex.bolt	1		
13	00042900	Washer	2		
14	01370980	rope assurance	2		
15	00521270	Roller	2		
16	01372810	pipe	1		
17	00051510	Hex. Nut	1		

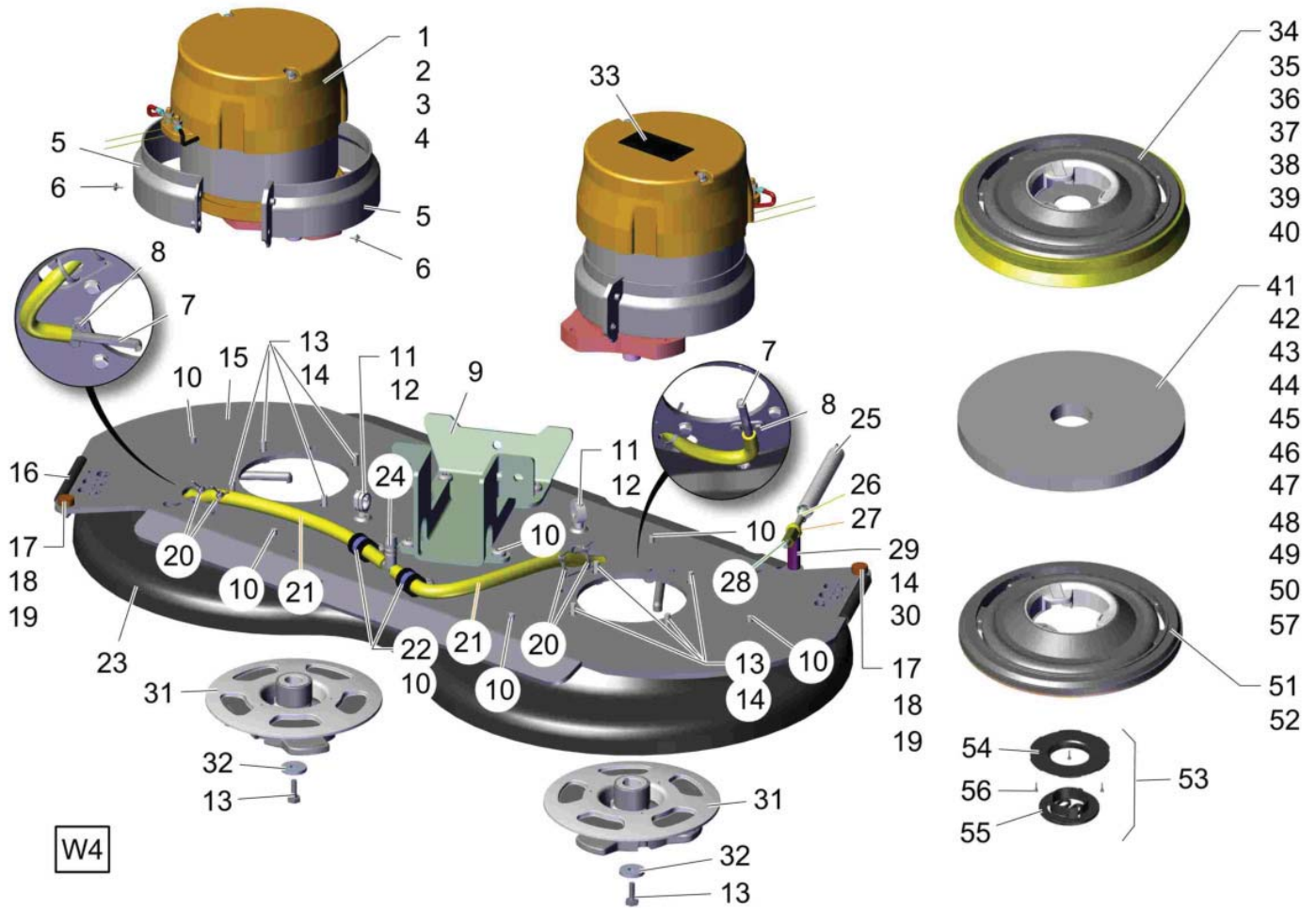
Rope assembly (97140479)



Item	Part number	Description	Qty.	Unit	Remarks
1	00737670	Slide bearing	2		
2	01371090	tension spring	2		
3	00023290	Thrust washer	4		
4	00736570	Bolt	4		
5	01371080	lug	1		
6	00862430	Bushing	2		
7	01371060	rope	1		
8	01371040	screw	2		
9	01371070	cable guide	2		
10	01371050	roller assembly	1		

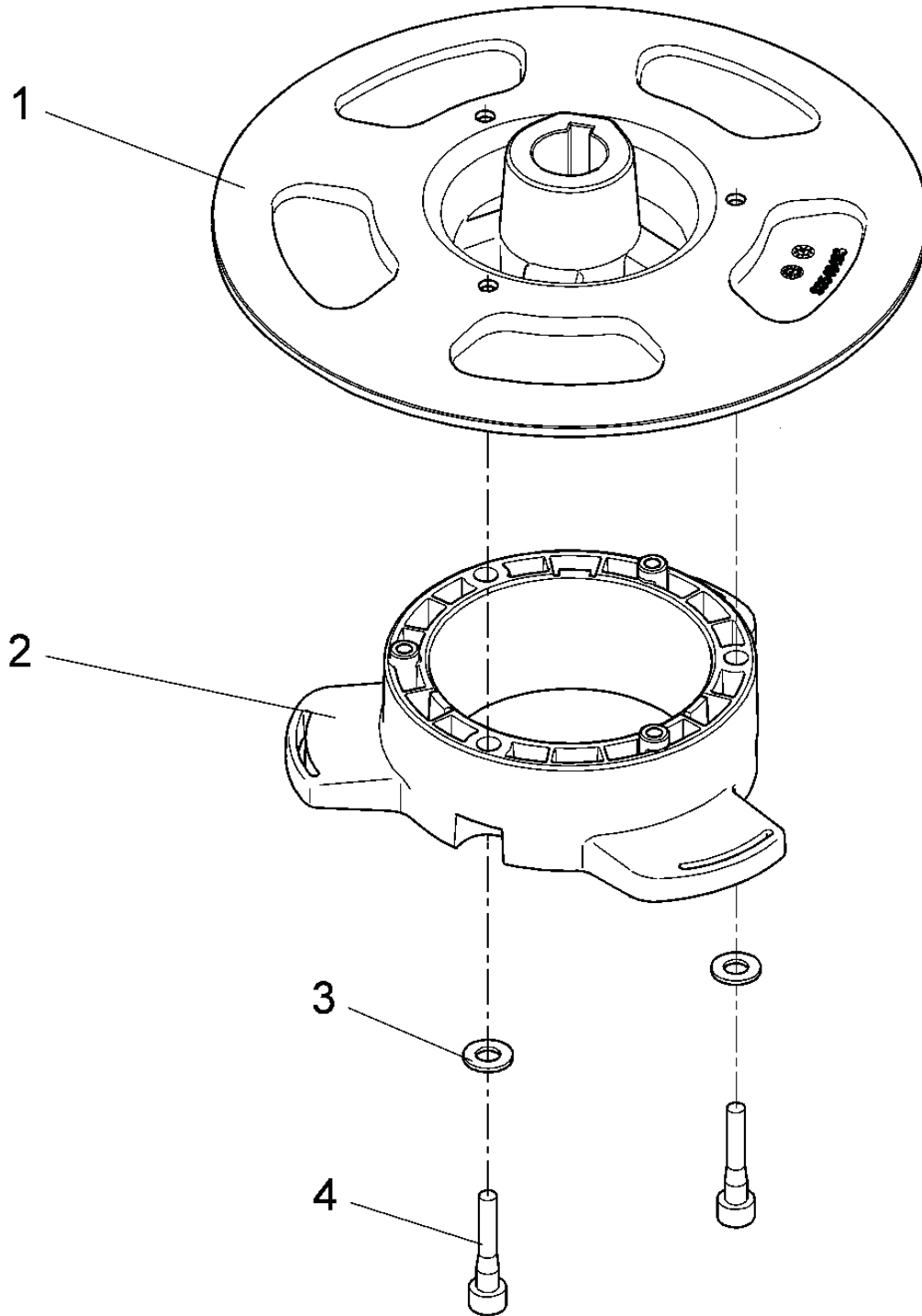


Disk brush head 900 (97135164)



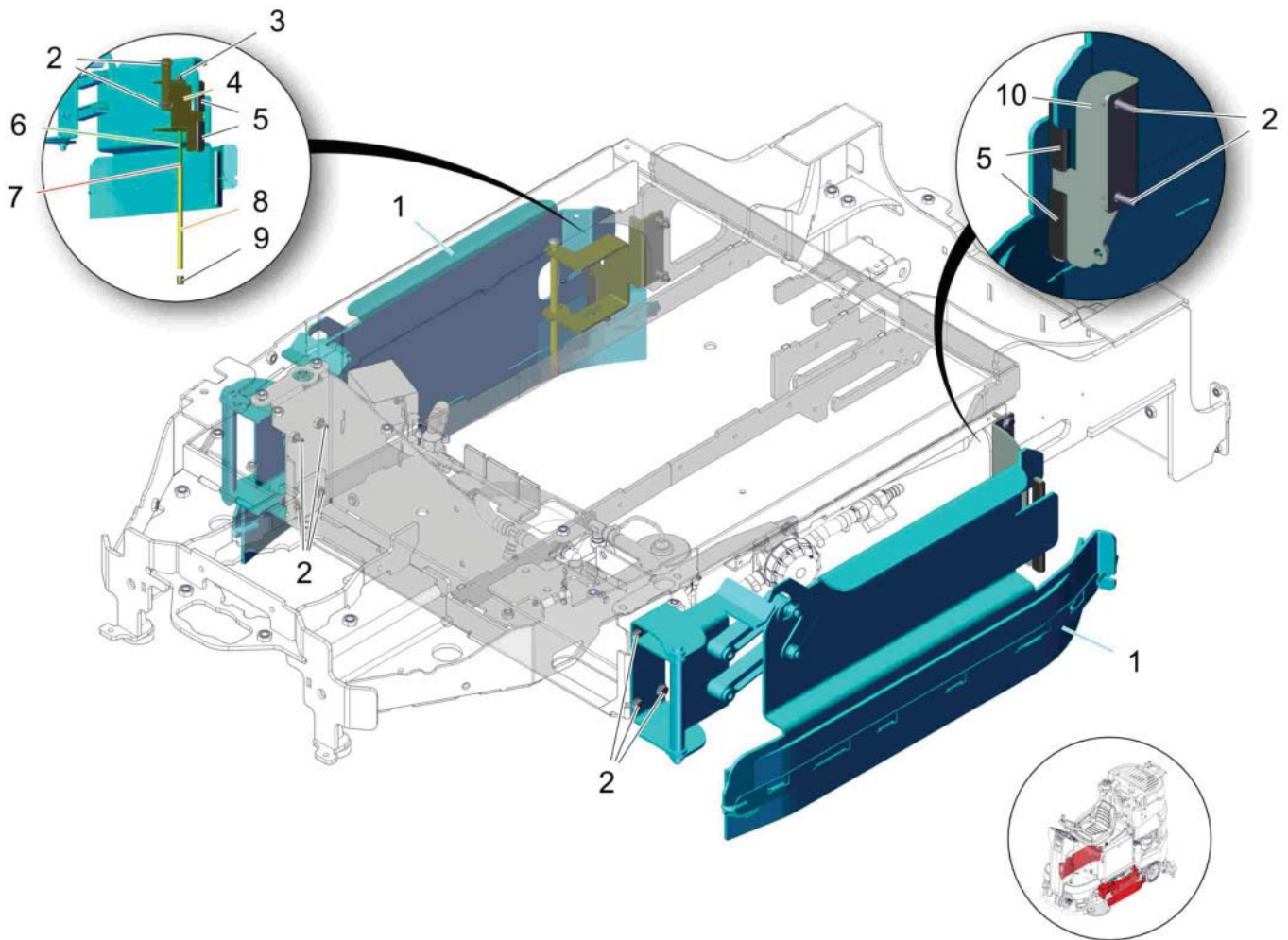
Item	Part number	Description	Qty.	Unit	Remarks
1	01271070	Motor Amer 710W 36V	2		
2	01274230	Carbon brush	1		
3	01274300	Carbon brush housing	1		
4	01277040	Rotary shaft seal	1		on gear's output side
5	01271080	Splash guard	4		
6	01170850	Screw	8		
7	00861700	Spray tube	2		
8	01171270	Screw	4		
9	01373540	adapter	1		
10	01272710	Lens head screw	12		
11	01370250	retainer	2		
12	01370240	mounting feet	2		
13	00704610	Hex.bolt	10		
14	00053750	Washer	9		
15	01373350	plate db 900	1		
16	01113660	Hose	0,200		
17	00127470	Buffer	2		
18	00053730	Washer	2		
19	00051520	Hex. Nut	2		
20	00967760	Cable tie	4		
21	00562480	Spiral hose	0,820		
22	00159550	Pipe clamp	2		
23	01371860	covering 900	1		
24	00901310	T-reducer muff	1		
25	00522290	Tension spring	1		
26	01093230	Eye bolt	1		
27	00855570	Eye bolt	1		
28	00744340	Hex. Nut	1		
29	00153390	Clamping tube	1		
30	00051510	Hex. Nut	1		
31	97111066	Brush carrier cpl.	1		
32	00879170	Washer	2		
33	03003000	Transparency	1		
34	99754415	Disk brush 18(460) PPN 0,5	2		
35	99754715	disk brush 18(460) K901	2		Degree of soiling light to medium, structured flooring
36	99731715	Disk brush 18(460) SIC K600	2		Degree of soiling light to medium, structured flooring
37	99768615	Disk brush 18(460) 5-comp.	2		especially for structured car park flooring
38	99754315	Disk brush 18(460) PPN 0,8	2		Degree of soiling medium to heavy
39	99754515	Disk brush 18(460) SIC K180	2		Very heavy soiling and basic cleaning
40	99754615	Disk brush 18(460) SIC K120	2		Extremely heavy soiling and basic cleaning
41	99755105	Super-pad 18(460) red (5pc)	1		Light soiling, red, in cardboard box à 5 pcs.
42	99787405	Super-pad 18(460) green (5pc)	1		Medium soiling and maintenance cleaning, green, in cardboard box à 5 pcs.
43	99754905	Super-pad 18(460) brown (5pc)	1		Maintenance cleaning, brown, in cardboard box à 5 pcs.
44	99755005	Super-pad 18(460) black (5pc)	1		Basic cleaning and heavy soiling, black, in cardboard box à 5 pcs.
45	99708802	Micro-fibre pad 18(460)	2		45 cm
46	99791802	Twister-Pad 18(460) green (2pc)	1		
47	99791812	Twister-Pad 18(460) yellow (2pc)	1		
48	99791822	Twister-Pad 18(460) red (2pc)	1		
49	99791842	Twister-Pad 18(460) white (2pc)	1		
50	99796181	Melamin Super-Pad 18" (46 cm)	1		
51	99754815	Pad holder 18(460)			incl. Items 53
52	99754865	Pad holder 18(460) bristles			incl. Items 53
53	00712010	Center-lock, cpl.	1		incl. Items 54-56
54	00681500	Center-lock, lower part	1		
55	00681490	Center-lock, upper part	1		
56	00961490	Screw	3		
57	99769205	Super-pad 18(460) blue (5pc)	1		Light and medium soiling and maintenance cleaning
58	01377320	fitting key	2		
W4	03020380	wiring harness W4	1		

Brush carrier cpl. (97111066)



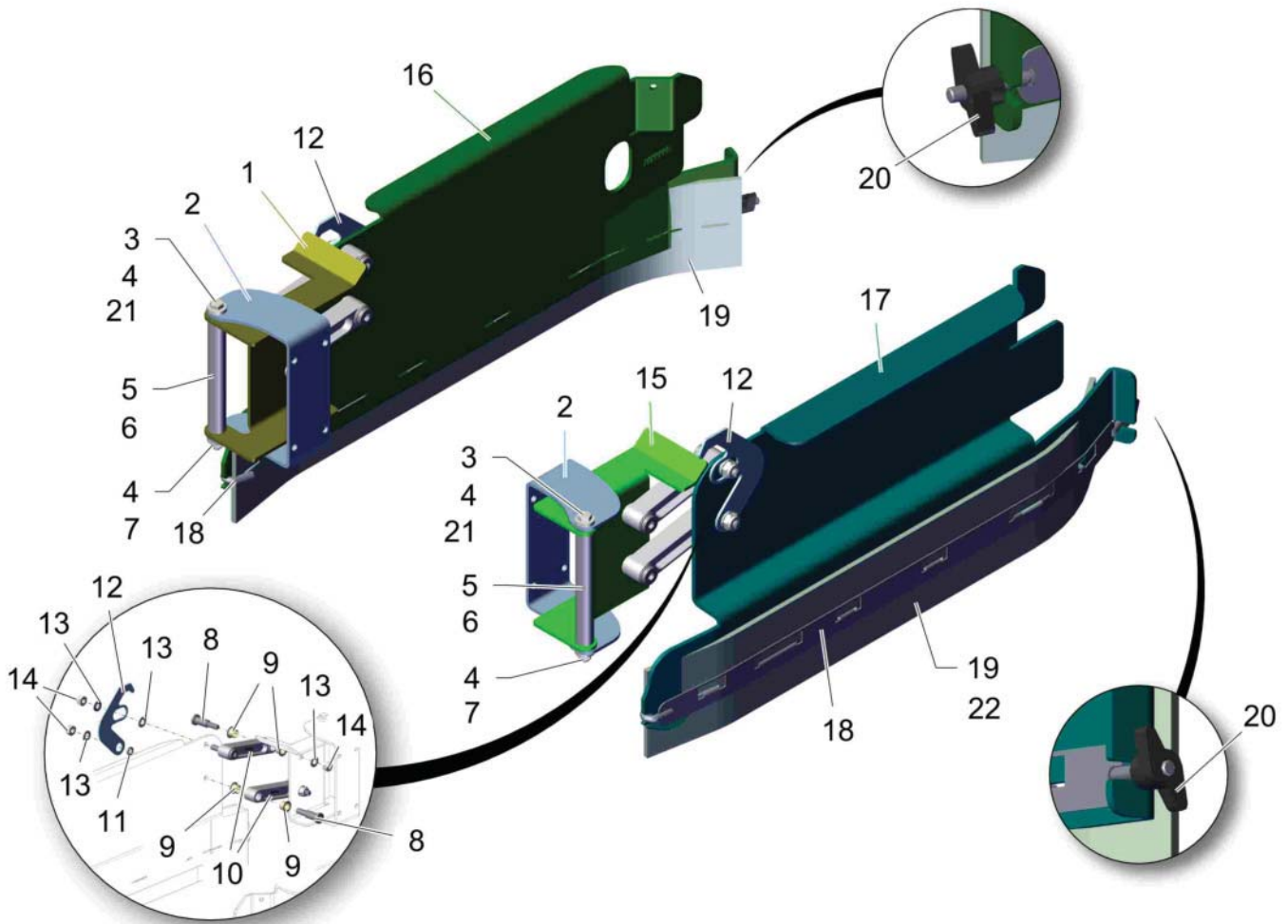
<b>Item</b>	<b>Part number</b>	<b>Description</b>	<b>Qty.</b>	<b>Unit</b>	<b>Remarks</b>
1	01172810	Brush driver	1		
2	01172910	Driver	1		
3	00102150	Washer	3		
4	01170820	Socket head screw	3		

Side wiper disk brush head 900 (97135156)



Item	Part number	Description	Qty.	Unit	Remarks
1	97138754-97144901	Side wiper R.H. + L.H.	1		
2	00959230	Hex.bolt	12		
3	00695280	Thrust washer	1		
4	01373620	squeegee guide R.H.	1		
5	01132510	Hose	0,120		
6	01111880	Decal ABBA	1		
7	01373610	pipe	1		
8	00711670	Hose	0,210		
9	01142460	Protection cap	1		
10	01373570	squeegee guide L.H.	1		

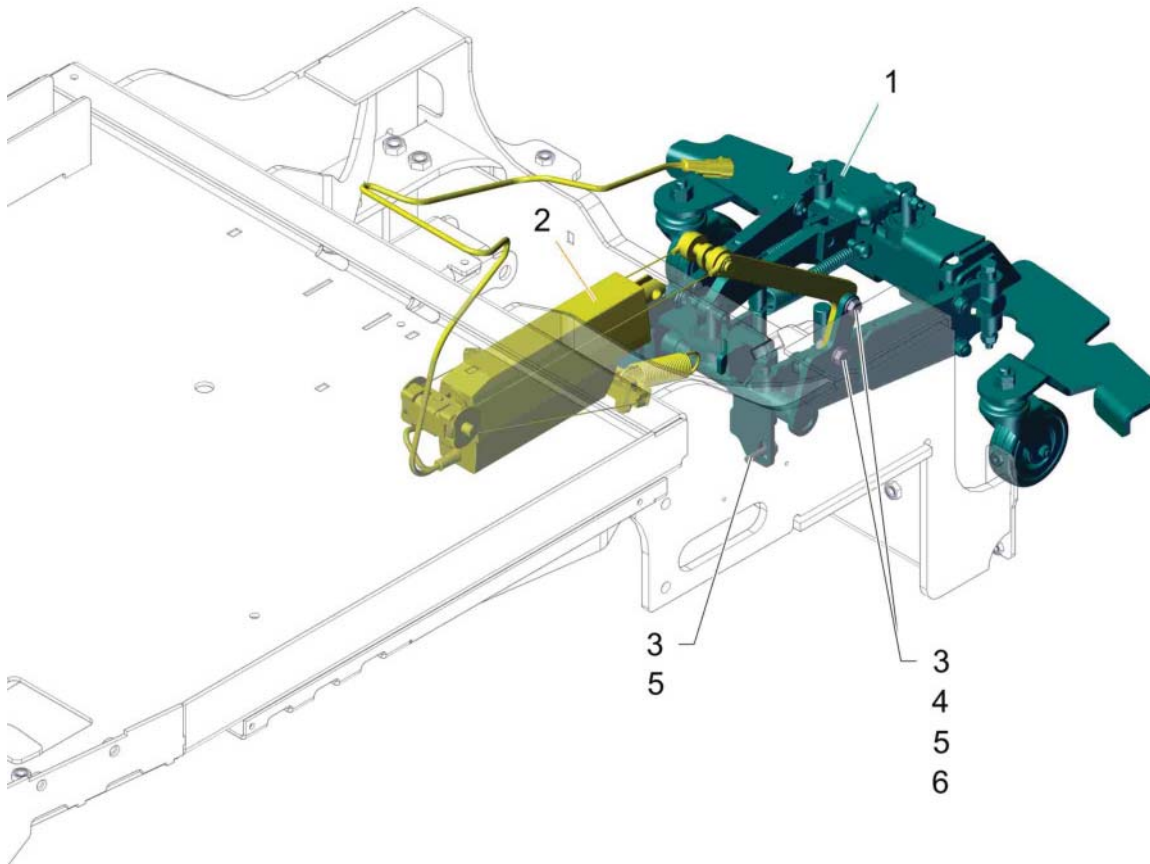
Side wiper R.H. and L.H. (97138754-97144901)



Item	Part number	Description	Qty.	Unit	Remarks
1	01373250	swinging arm right	1		
2	01372910	steady arm	2		
3	01375040	hexagon screw	2		
4	00695300	Washer	4		
5	01373400	tube	2		
6	00460890	Hose	0,140		
7	00051510	Hex. Nut	2		
8	01374100	fitting screw	8		
9	01073860	Slide bearing bush	16		
10	01073870	Lever	4		
11	01074210	Bushing	2		
12	01373670	hook	2		
13	00053760	Washer	10		
14	00051500	Hex. Nut	8		
15	01372840	swivel arm L.H.	1		
16	01373530	side skimmer right TB 900	1		
17	01373480	side skimmer left TB 900	1		
18	01373970	tension band long	2		
19	01074250	Squeegee strip	2		
20	01111970	Wing nut	2		
21	01130080	Slide bearing bush	4		
22	01077040	squeegee strip	1		variant: highly wear resistant!

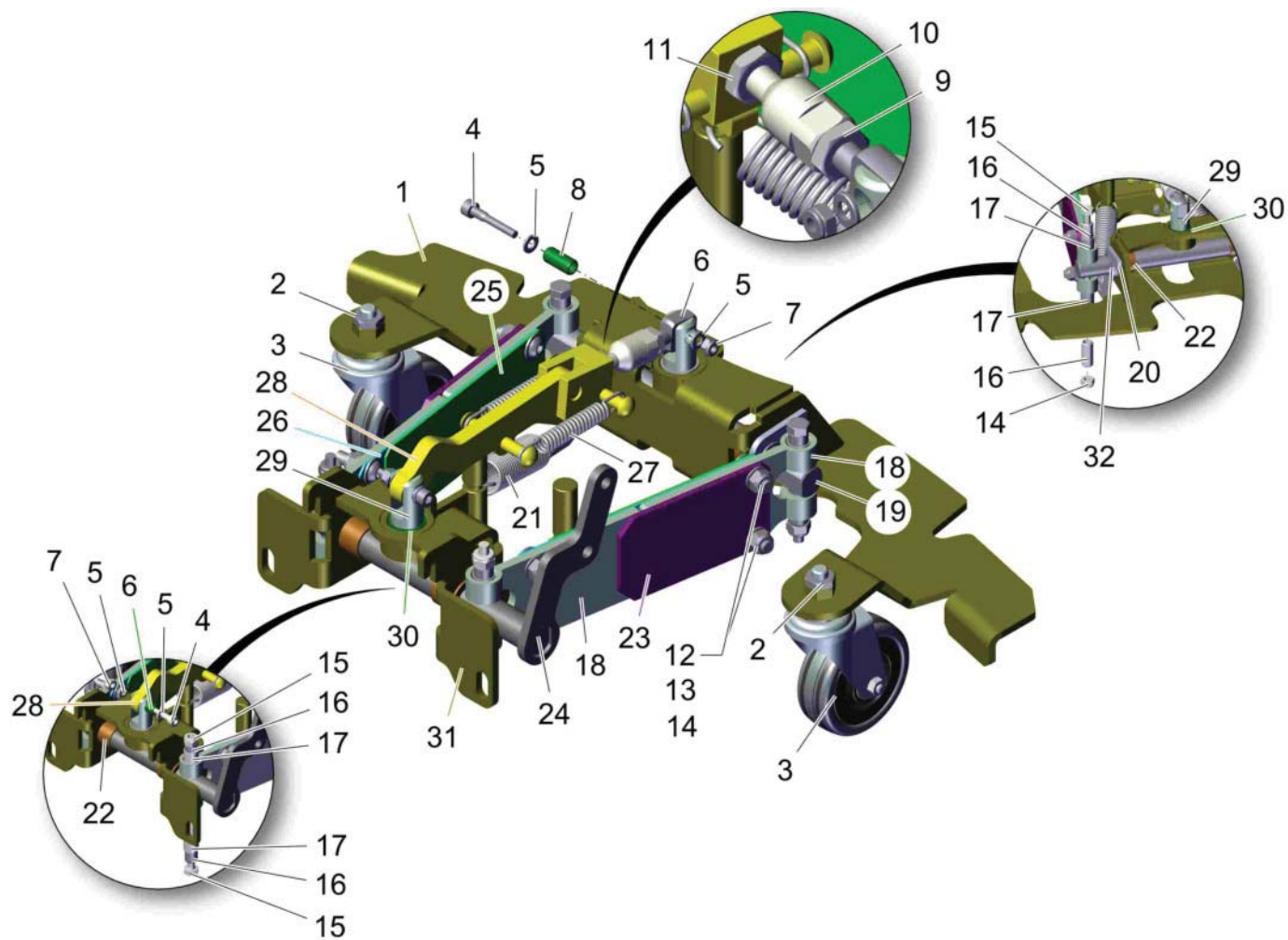


Squeegee linkage group (97139935)



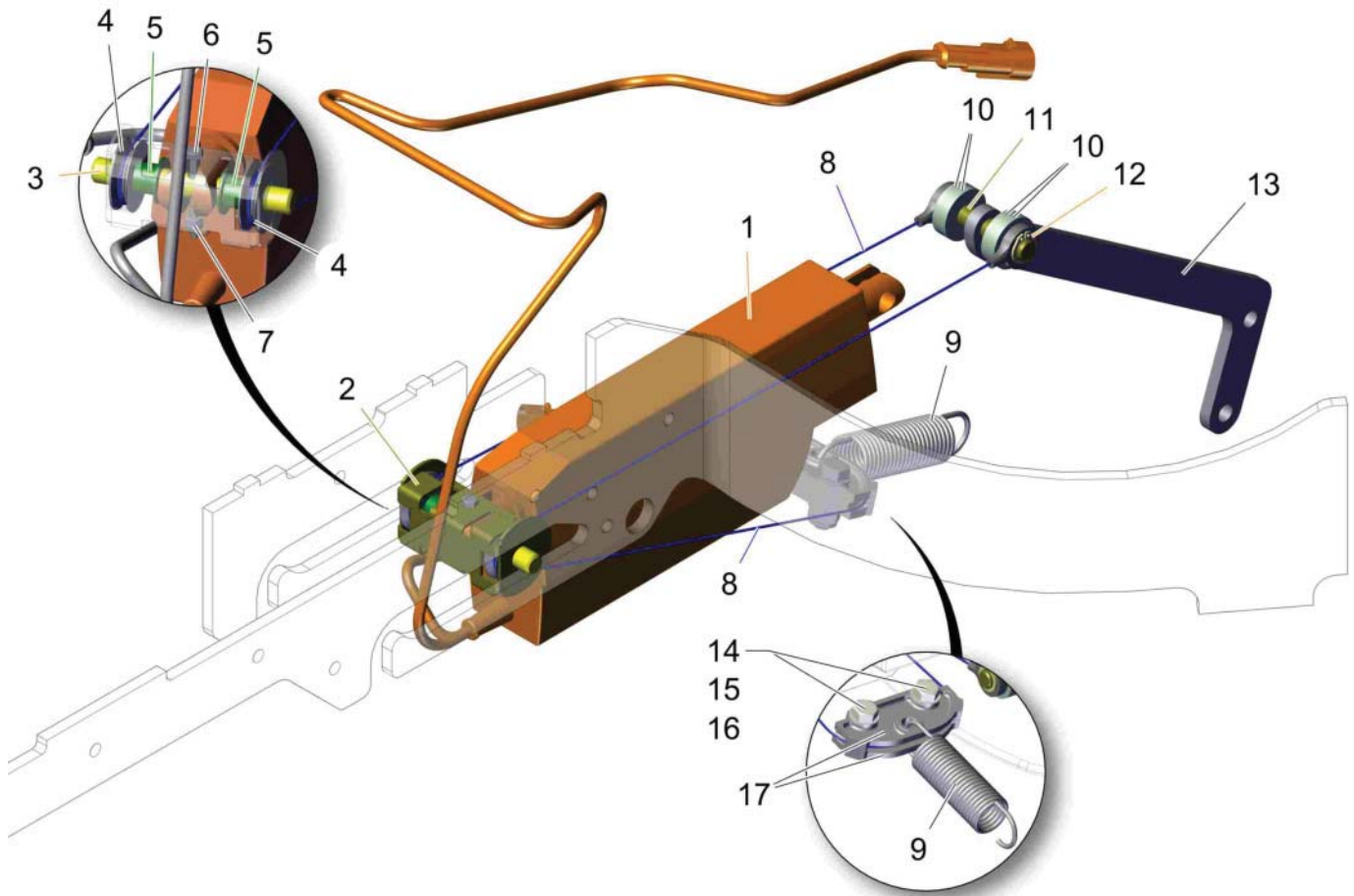
Item	Part number	Description	Qty.	Unit	Remarks
1	03021740	Squeegee linkage group	1		
2	97142525	Lifting element	1		
3	00053100	Hexagon screw	4		
4	00053750	Washer	2		
5	00740090	Detent edged washer	4		
6	00051510	Hex. Nut	2		

Squeegee linkage group (03021740)



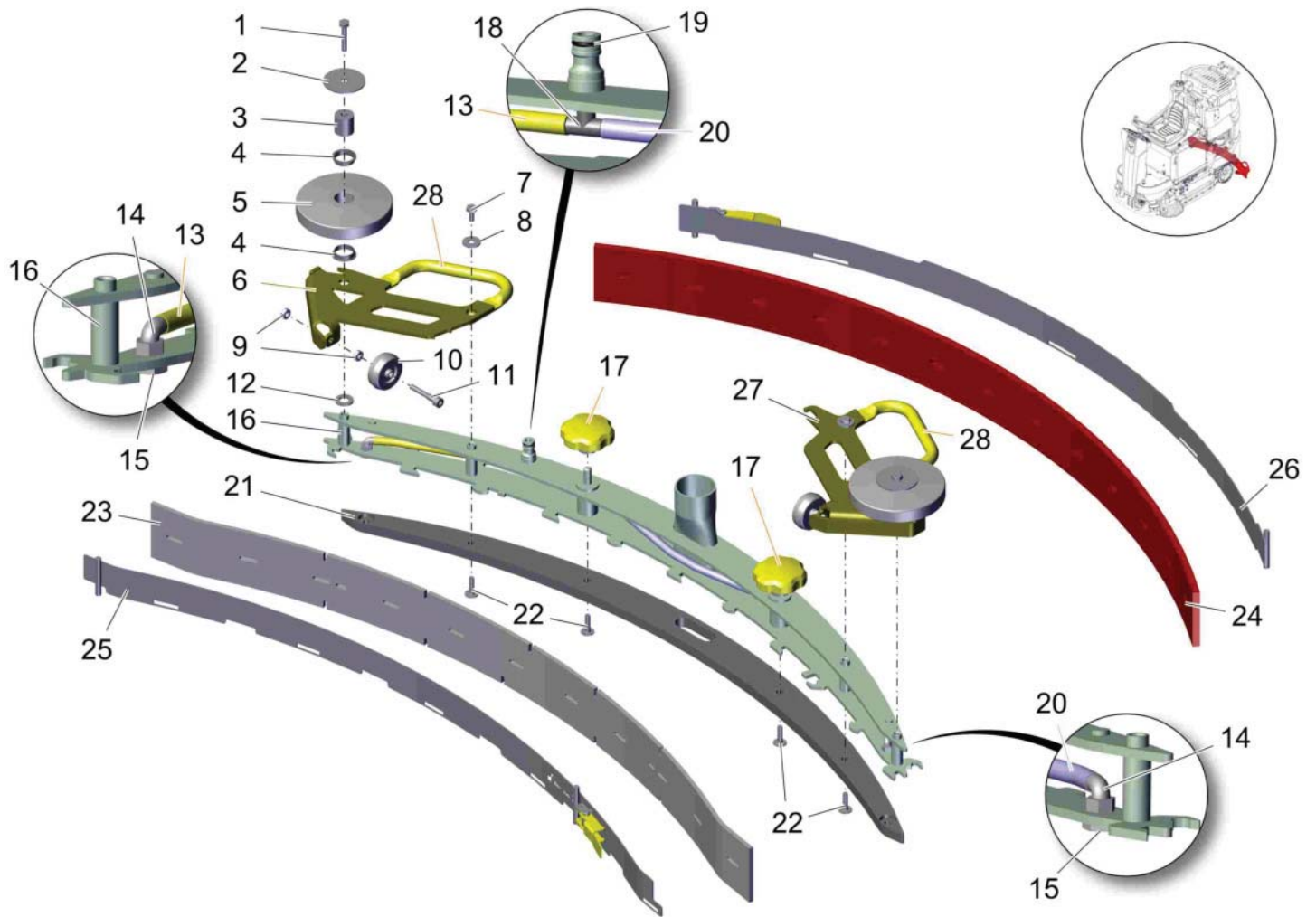
Item	Part number	Description	Qty.	Unit	Remarks
1	01372500	base plate	1		
2	00074710	Hex. Nut	2		
3	01371420	steering roller	2		
4	01278920	Socket head screw	2		
5	00102150	Washer	4		
6	01373090	joint	1		
7	00102140	Hex. Nut	2		
8	01373280	bushing	2		
9	01375180	hexagon nut	1		
10	01373080	adjustment bushing	1		
11	01380340	hexagon nut	1		
12	01164420	Lens flange screw	8		
13	01226400	Detent edged washer	8		
14	00101540	Hex. Nut	12		
15	01371360	hexagon screw	4		
16	01373460	spacer sleeve	8		
17	00077900	DU-Drying socket	8		
18	01373730	adapter	4		
19	01372720	shaft	1		
20	01372860	indicator	2		
21	01077710	Tension spring	2		
22	01377290	slide bearing bush	4		
23	01373240	guide	2		
24	01373800	shaft	1		
25	01371600	leaf spring	2		
26	01371520	leaf spring	2		
27	01371560	tension spring	2		
28	01371620	fork head	1		
29	01371570	fork head	2		
30	00734550	DU-Drying socket	2		
31	01373780	stop	1		
32	01370230	circlip	2		

Lifting element (97142525)



Item	Part number	Description	Qty.	Unit	Remarks
1	01375050	lifting element	1		
2	01373500	rope guide	1		
3	01373490	pin	1		
4	01373580	roller guide	2		
5	01078360	Slide bearing bush	2		
6	01079890	Hexagon screw	1		
7	01017660	Hex. Nut	1		
8	01371430	rope	1		
9	01373590	tension spring	1		
10	00855380	Washer	4		
11	01373520	pin	1		
12	00103230	Retaining ring	2		
13	01373510	lever	1		
14	00053100	Hexagon screw	2		
15	00053750	Washer	4		
16	00051510	Hex. Nut	2		
17	01371070	cable guide	2		

Suction unit 1100mm, cpl. (01378910)



Item	Part number	Description	Qty.	Unit	Remarks
1	00059460	Hex.bolt	2		
2	01178290	Conical spring washer	2		
3	01373050	pipe	2		
4	01376740	slide bearing bush	4		
5	01371490	deflector	2		
6	01373130	deflector bow 1100mm R.H.	1		
7	01071740	Hex.bolt	2		
8	00902280	Washer	2		
9	00971400	Hex. Nut	4		
10	01371530	steering roller	2		
11	01019860	Socket head screw	2		
12	01228240	Washer	2		
13	00711670	Hose	0,210		
14	01090220	Angle screwing	2		
15	01375180	hexagon nut	2		
16	01373850	suction unit 1100mm	1		
17	01371630	star handle yellow	2		
18	01371690	T-screwing in connecting piece	1		
19	01185240	O-ring	1		
20	00711670	Hose	0,760		
21	01371790	enclosure 1100	1		
22	01164420	Lens flange screw	4		
23	01371780	slot strip	1		
23	01372110	slot strip, highly wear-resistant	1		
24	01372330	sealing strip	1		
25	01371950	tension band front	1		
26	01371830	tension band rear	1		
27	01372850	deflector bow 1100mm L.H.	1		
28	01371540	handle	2		



*PowerBoss*<sup>®</sup>  
*The Power of Clean*

*'The Power of Clean'*

**PowerBoss<sup>®</sup> is a Full Line Manufacturer of Sweepers and Scrubbers,  
for Industrial Facilities.**

PowerBoss<sup>®</sup>, Minuteman International, Inc. 14N845 U.S. Route 20 Pingree Grove, Illinois 60140  
Phone: 800-323-9420 [www.PowerBoss.com](http://www.PowerBoss.com) Email: [tech@powerboss.com](mailto:tech@powerboss.com)  
**A Member of the Hako Group**

SM3546D Rider Scrubber #988784 Rev A 07/21  
PowerBoss<sup>®</sup> Copyright 2021